

MICROMETER STAND



Convenient measurement by holding objects in hands



MS-RG

MS-SG

USE

- Stand for outside micrometers

MATERIAL

- Body: Cast iron

FEATURES

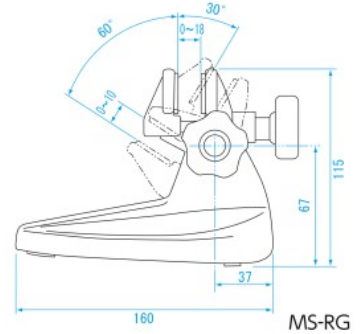
- Stable stand with moderate weight and low center of gravity
- Rubber no-slip feet
- Clamp angle adjustable

SPECIFICATIONS

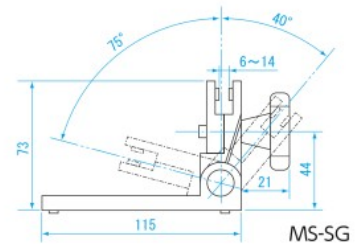
- Clamp range: Outside micrometers up to 100mm



● DIMENSIONS Units: mm



MS-RG



MS-SG

Order No.	Model No.	Weight
011766	MS-RG	1.3kg
011767	MS-SG	795g

COMBINATION STAND

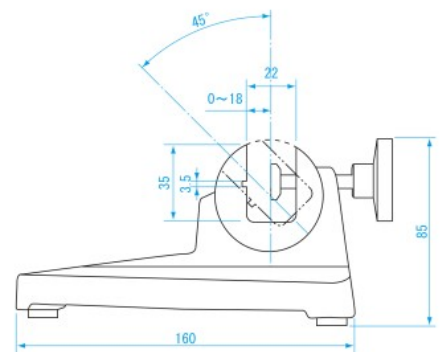
Stand for micrometers as well as vernier calipers

MICRO
METER

MICRO
METER
STAND



● DIMENSIONS Units: mm



USE

- Outside micrometer up to 100mm, vernier caliper up to 200mm

MATERIAL

- Body: Cast iron

FEATURES

- Stable stand with moderate weight and low center of gravity
- Rubber no-slip feet
- Clamp angle adjustable 45°~90°



Clamp with grooves to hold calipers securely



Adjustable angle



Rubber no-slip feet

Order No.	Model No.	Weight
011768	NMS-1G	1.5kg