

MAGNETIC BASE

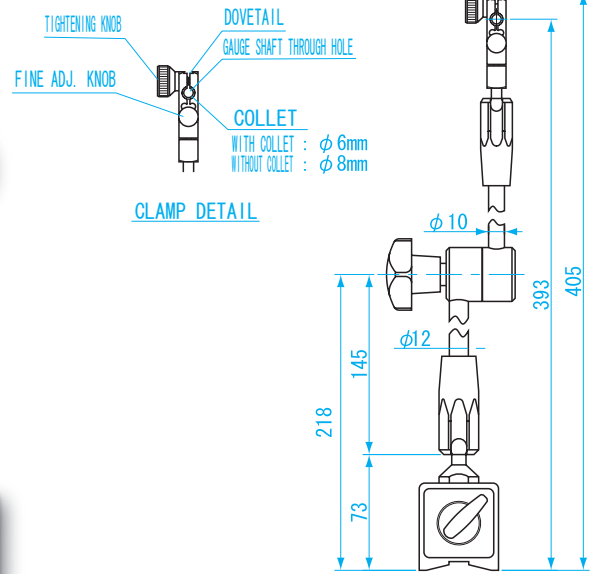


Locking type



DIMENSIONS

Units : mm



- USE**
 - Measurements that require a dial gauge or dial indicator to be held in fixed position
- MATERIAL**
 - Ferrite magnet
- FEATURES**
 - Mechanical lock knob tightens all joints with a single operation
 - Removable, with ON/OFF magnet operation
 - Magnetic force : approx. 1000N (225 lb)
 - Stem holder : ϕ 6mm · ϕ 8mm
 - With dovetail mount
 - Main post screw : M8 × P1.25

Order No.	Model No.	Base Dimension (mm)	Surface magnetic flux density (mT)	Weight
012875	SB-100G	50×75×55	Max100	1.7kg

MAGNETIC BASE MINI TYPE

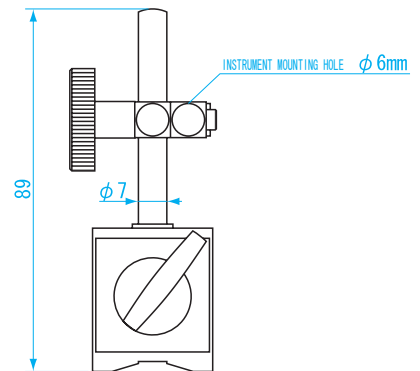


Mini type



DIMENSIONS

Units : mm



- USE**
 - Measurements that require a dial indicator to be held in fixed position
- MATERIAL**
 - Ferrite magnet
- FEATURES**
 - Compact size
 - Removable, with ON/ OFF magnet operation
 - Magnetic force : approx. 250N (55 lb)
 - Stem holder : ϕ 6mm
 - Main post screw : M5 × P0.8

Order No.	Model No.	Base Dimension (mm)	Surface magnetic flux density (mT)	Weight
012872	SB-25M	30×35×35	Max100	270g