

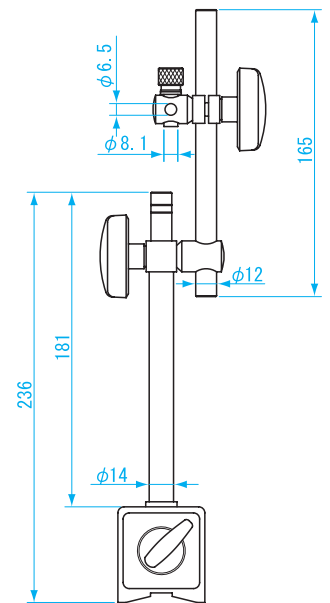
MAGNETIC BASE



Thick Main Post type



DIMENSIONS Units : mm



- USE** • Measurements that require a dial gauge or dial indicator to be held in fixed position
- MATERIAL**
 - Ferrite magnet
- FEATURES**
 - Thick main post type
 - Removable, with ON/ OFF magnet operation
 - Magnetic force : approx. 800N (180 lb)
 - Stem holder : ϕ 6mm · ϕ 8mm
 - Main post screw : M8 × P1.25

Order No.	Model No.	Base Dimension (mm)	Surface magnetic flux density (mT)	Weight
012873	SB-80P	50×60×55	Max100	1.5kg

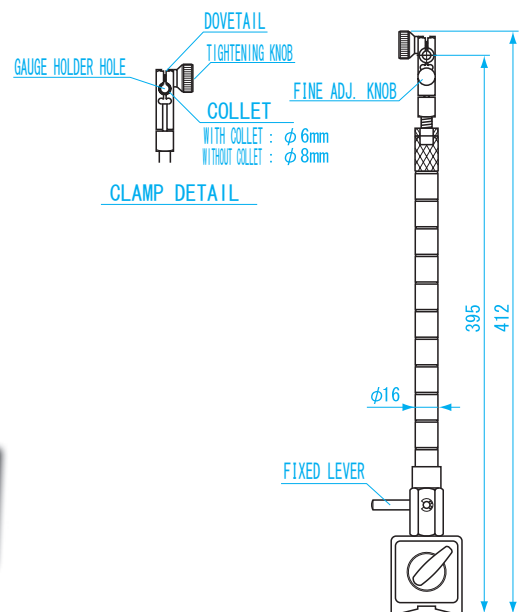
MAGNETIC BASE



Flexible type



DIMENSIONS Units : mm



- USE** • Measurements that require a dial gauge or dial indicator to be held in fixed position
- MATERIAL**
 - Ferrite magnet
- FEATURES**
 - Flexible shaft for quick and easy positioning. One touch lever to fix position securely
 - Removable, with ON/OFF magnet operation
 - Magnetic Force : approx. 800N (180 lb)
 - Stem holder : ϕ 6mm · ϕ 8mm
 - With dovetail mount
 - Main post screw : M8 × P1.25

Order No.	Model No.	Base Dimension (mm)	Surface magnetic flux density (mT)	Weight
012874	SB-80F	50×60×55	Max100	1.3kg