

Unit: mm

Specification 2

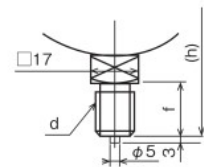
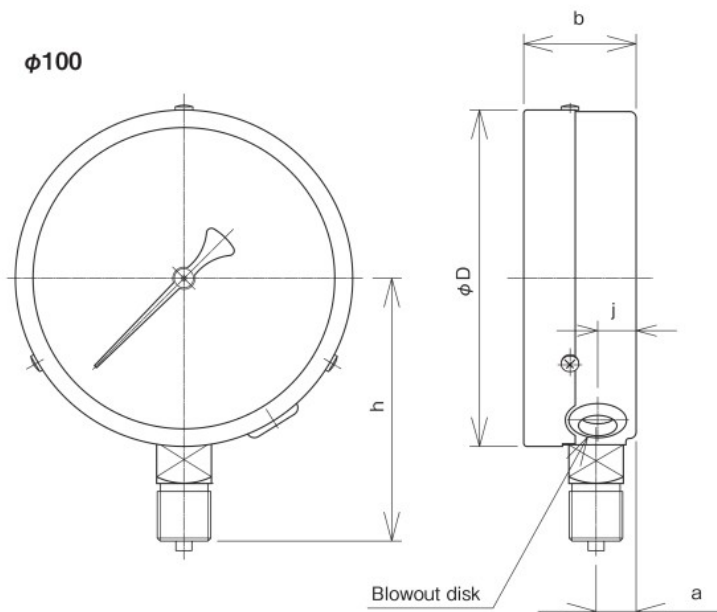
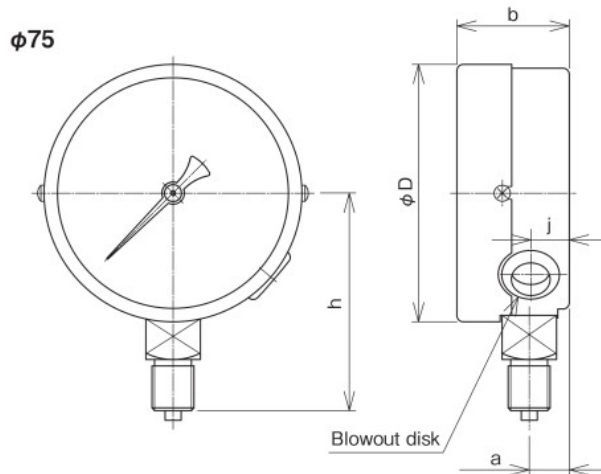
Shape / Dimensions:

Lower connection

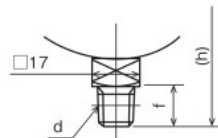
Type A...Direct mount pressure gauge

Weight:

| Size | Weight |
|------|--------------|
| 75 | Approx. 300g |
| 100 | Approx. 400g |



ATG [□□] B



ATR [□□]

| Size | Shape / Connection | | Case / Dimensions | | | | | Model number | |
|------|--------------------|-------------|-------------------|------|----|----|----|--------------|----------|
| | d | | D | a | b | j | f | | h |
| 75 | T | G1/4B, R1/4 | 80.5 | 12.5 | 35 | 12 | 16 | 68 | AC20-1□□ |
| | | G3/8B, R3/8 | | | | | 18 | 70 | |
| 100 | T | G3/8B, R3/8 | 105.5 | 12.5 | 35 | 12 | 18 | 82 | AE20-1□□ |
| | | G1/2B, R1/2 | | 15 | | | 20 | 88 | |