

Unit: mm

Specification 2

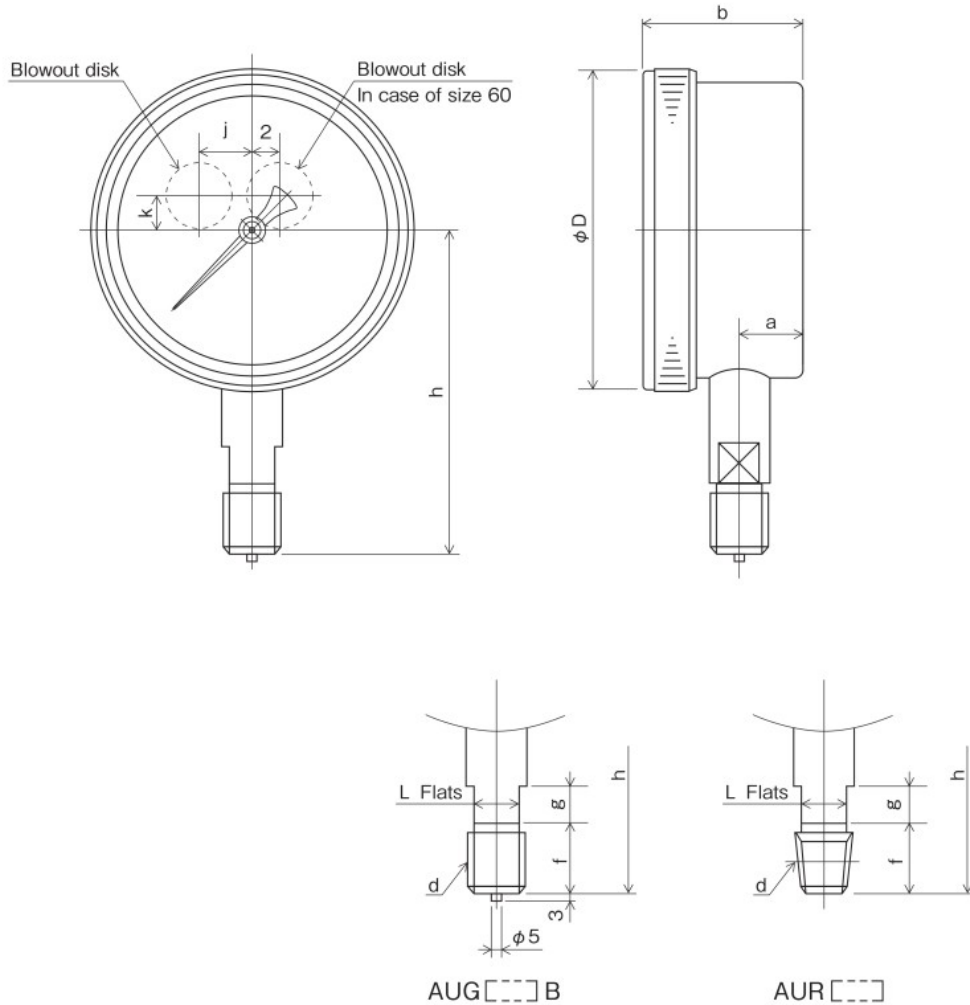
Shape / Dimensions:

Lower connection

Type A...Direct mount pressure gauge

Weight:

Size	Weight (g)
60	Approx. 300
75	Approx. 500
100	Approx. 800
150	Approx. 1600



Size	Shape / Connection	Case / Dimensions									Model number	
		d	D	a	b	j	k	f	g	L		h
60	U G1/4B, R1/4		70	11.5	32	—	8	16	10	12	58	BA10-1 [] []
75	U G1/4B, R1/4		84	16.5	41 (41.5)	15	10	16	12	12	68	BC10-1 [] []
	U G3/8B, R3/8	(86)	18					12	14	70	BC12-1 [] []	
100	U 1/4NPT		109 (110)	22 (23)	52.5 (54)	20	10	16	15	14	106	BE10-1 [] []
	U G3/8B, R3/8, 3/8NPT	18						15	14	108	BE12-1 [] []	
	U G1/2B, R1/2, 1/2NPT	20						15	17	110		
150	U G3/8B, R3/8		159	25	59 (59.5)	20	10	18	15	14	123	BG10-1 [] []
	U G1/2B, R1/2, 1/2NPT	(162)	20					15	17	125	BG12-1 [] []	

() Dimension of plastic case