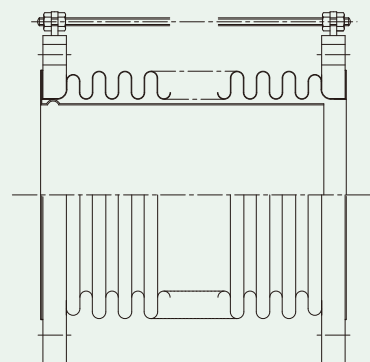


NK-7300 Non Welding Type (for Exhaust Gas)

Flange Standard: JIS,ANSI,DIN

DN	Length(mm)							
	X=5	X=10	X=15	X=20	X=25	X=30	X=40	X=50
50mm		140	190	240	300	350		
65mm		125	160	210	250	295		
80mm		115	155	200	240	280		
90mm		135	175	230	270	325		
100mm		105	140	170	200	235	295	
125mm		140	190	240	285	335	395	
150mm		125	170	220	250	290	380	
175mm		125	170	220	250	290	380	
200mm		130	175	220	250	295	385	460
250mm		115	155	190	225	260	335	405
300mm			145	185	225	245	405	365
350mm			170	210	230	270	350	410
400mm			150	175	200	225	300	350
450mm			150	175	200	225	300	350
500mm			150	175	200	225	300	350
600mm				195		230	300	370
700mm				195		230	300	370
800mm						220	260	340
900mm						220	260	340
1000mm						245	290	335
1200mm						250	290	340
1350mm						250	290	340
1500mm						255	300	345

① Bellows	Stainless Steel
② Inner Sleeve	Stainless Steel
③ Flange	Carbon Steel, Stainless Steel
④ Set Bolt	Carbon Steel, Stainless Steel
⑤ Holder	Carbon Steel, Stainless Steel



NK-7900 Compact and Light Welding Type

Flange Standard: JIS,ANSI,DIN

DN	Length(mm)							
	X=5	X=10	X=15	X=20	X=25	X=30	X=40	X=50
20mm	100	170	250					
25mm	85	150	210	275	335			
32mm	80	130	165	230	280	325		
40mm	85	140	190	245	295	350		
50mm		140	190	240	300	350		
65mm		125	160	210	250	295		
80mm		115	155	200	240	280		
90mm		135	175	230	270	325		
100mm		105	140	170	200	235	295	
125mm		140	190	240	285	335	395	
150mm		125	170	220	250	290	380	
175mm		125	170	220	250	290	380	
200mm		130	175	220	250	295	385	460
250mm		115	155	190	225	260	335	405
300mm			145	185	225	245	405	365
350mm			170	210	230	270	350	410
400mm			150	175	200	225	300	350
450mm			150	175	200	225	300	350
500mm			150	175	200	225	300	350

① Bellows	Stainless Steel
② Flange	Carbon Steel, Stainless Steel

※You can add Internal Sleeve and Set Bolt as options if you need.

