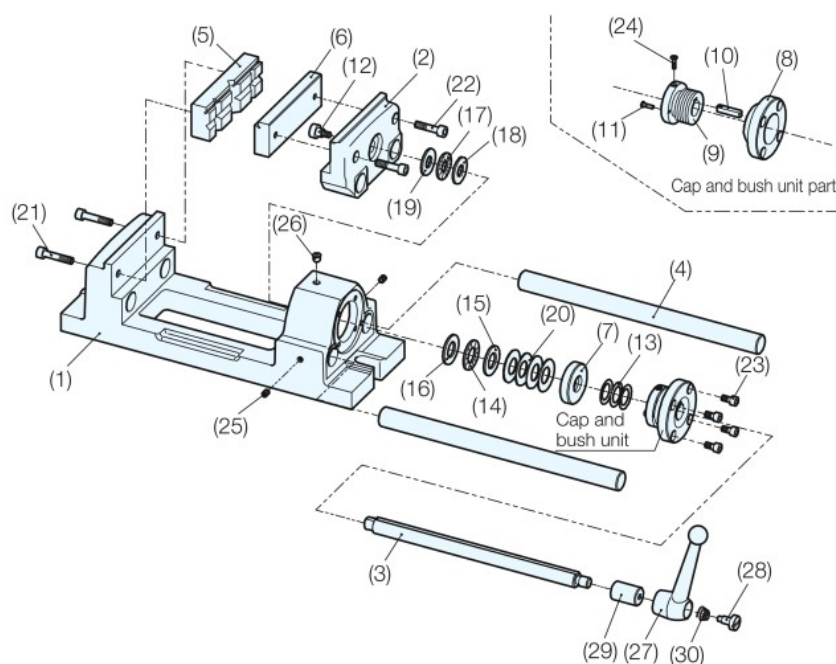


## Parts Detail



No.	Part name	Material	Quantity
(1)	Main body	FC250	1
(2)	Sliding jaw	FC250	1
(3)	Center bar	S45C	1
(4)	Guide bar	S45C	2
(5)	Prism jaw for main body	S45C	1
(6)	Prism jaw for Sliding jaw	S45C	1
(7)	Hold ring	SCM435	1
(8)	Cap (female screw)	S45C	1
(9)	Bush (male screw)	PBB2-H	1
(10)	Key	S45C	1
(11)	Bush pin	S45C	1
(12)	Center bar retainer bolt	SCM435	1
(13)	Pressure adjusting conical spring washer	SAE1060	3
(14)	Thrust needle bearing	-	1
(15)	Thrust washer	-	1
(16)	//	-	1
(17)	Thrust needle bearing	-	1
(18)	Thrust washer	-	1
(19)	//	-	1
(20)	Conical spring washer	SK3	4
(21)	Jaw plate retainer bolt (main body)	SCM435	2
(22)	// (Sliding jaw)	SCM435	2
(23)	Female screw retainer bolt	SCM435	4
(24)	Key set screw	SS400	1
(25)	Guide bar set screw	SCM435	2
(26)	Oil cap	BS chrome plating	1
(27)	Handle (main body)	ADC10	1
(28)	Handle retainer bolt	S45C	1
(29)	Spline bush	S45C	1
(30)	Cone spring	SK5	1

## Accessories

### Center bar (Parts No. (3))

Compatible Models	Order No.	No.	
UTS 75-3	943893	UTS 75-CB	
UTS100-4	943894	UTS100-CB	
UTS125-5	943895	UTS125-CB	

### Jaw plates (2 pieces per set) (Parts No. (5) and (6))

Compatible Models	Order No.	No.	
UTS 75-3	919659	UTS 75-JA	
UTS100-4	919660	UTS100-JA	
UTS125-5	919661	UTS125-JA	

### Cap and bush unit (Parts No. (8), (9), (10), (11), (24) single unit)

Compatible Models	Order No.	No.	
UTS 75-3	115647	UTS 75-CBA	
UTS100-4	115648	UTS100-CBA	
UTS125-5	115649	UTS125-CBA	

### Handle set (Parts No. (27) to (30))

Compatible Models	Order No.	No.	
All models	943908	UTS-HN	

### Guide bar (1 piece) (Parts No. (4))

Compatible Models	Order No.	No.	
UTS 75-3	943896	UTS 75-GB	
UTS100-4	943897	UTS100-GB	
UTS125-5	943898	UTS125-GB	

### Hold ring (Parts No. (7))

Compatible Models	Order No.	No.	
UTS 75-3	943899	UTS 75-HR	
UTS100-4	943900	UTS100-HR	
UTS125-5	943901	UTS125-HR	

### Oil cap (Parts No. (26))

Compatible Models	Order No.	No.	
All models	910045	OCP-1-4	

Jig Set-up Systems  
(Q-Lock)

Base Elements

Clamp Units

Clamping Parts

Mechanical Parts

Machine Vises

Surface Plates and  
Measurement Instruments

Index