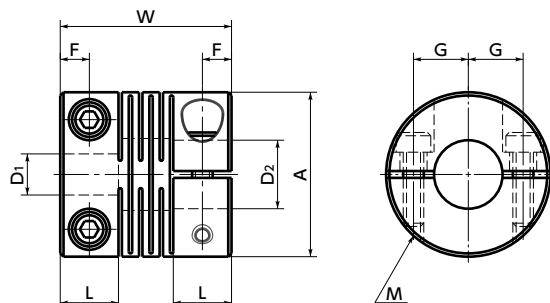


MSXP-C Cleanroom / Vacuum / Heat Resistant Coupling - Slit - type (PEEK) - Clamping Type

[WEB Selection Tool](#)
[WEB CAD Download](#)
[Zero Backlash](#)
[Cleanroom](#)
[Electrical Insulation](#)
[Chemical-proof](#)

MSXP-C



Dimensions

Unit : mm

Part Number	A	L	W	F	G	M	Screw Tightening Torque (N·m)
MSXP-25C	25	8.5	25	4.25	8	M3	0.15
MSXP-30C	30	10.2	30	5.1	9	M3	0.15
MSXP-36C	36	12	35	6	11	M3	0.15

Part Number	Standard Bore Diameter				
	D1-D2				
MSXP-25C	6 - 8	6 - 10	8 - 8	8 - 10	10 - 10
MSXP-30C	8 - 8	8 - 10	10 - 12	12 - 12	
MSXP-36C	10 - 14	12 - 14	14 - 15	15 - 15	

- All products are provided with hex socket head cap screw.
- Recommended dimensional allowances of applicable shaft diameter are h6 and h7.
- In case of mounting on D-cut shaft, be careful about the position of the D-cut surface of the shaft. → P.257

[Additional Keyway at Shaft Hole → P.788](#)
[Cleanroom Wash & Packaging → P.792](#)
[Change to Stainless Steel Screw → P.790](#)

Please feel free to contact us

Cleanroom washed and packed

Not Available