

XHW-C / XHW-C-L Flexible Coupling - Disk - type

Additional Size

WEB Selection Tool

WEB CAD Download



Zero Backlash



High torque

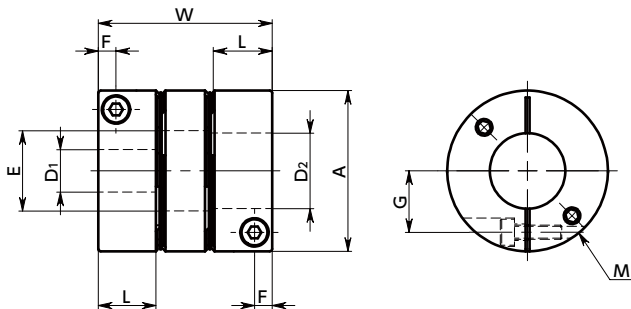


High Rigidity

XHW-C



XHW-C-L

Outside diameter $\phi 15$

Dimensions

Unit : mm

Part Number	A	L	W	E	F	G	M	Screw Tightening Torque (N·m)
XHW-15C	15	7.5	21.6	6.3	2.1	5	M2	0.45
XHW-19C	19	9.2	25.7	8.5	2.6	7	M2	0.5
XHW-25C	25	11	32.2	12.5	3.3	9.25	M2.5	1
XHW-27C	27	11	32.2	14.5	3.3	10.25	M2.5	1
XHW-34C	34	12.5	36.8	16.5	3.75	13	M3	1.5
XHW-39C	39	15.5	46.6	20.5	4.5	14.5	M4	3.5
XHW-44C	44	15.5	46.6	22.5	4.5	17	M4	3.5
XHW-56C	56	20.5	61.2	28.5	6	21	M5	8
XHW-64C	64	24	74.4	36	7	24	M6	13
XHW-79C	79	30	97.2	43	8.75	29	M8	28
XHW-19C-L	19	9.2	34	8.5	2.6	7	M2	0.5
XHW-25C-L	25	11	42	12.5	3.3	9.25	M2.5	1
XHW-27C-L	27	11	42	14.5	3.3	10.25	M2.5	1
XHW-34C-L	34	12.5	44	16.5	3.75	13	M3	1.5
XHW-39C-L	39	15.5	55	20.5	4.5	14.5	M4	3.5

Part Number	Standard Bore Diameter																												
	D1	D2	3	4	5	6	6.35	8	9.525	10	11	12	14	15	16	17	18	19	20	22	24	25	28	30	32	35	38	40	42
XHW-15C	●	●	●	●																									
XHW-19C	●	●	●	●	●	●																							
XHW-25C		●	●	●	●	●	●	●	●	●	●	●																	
XHW-27C		●	●	●	●	●	●	●	●	●	●	●	●																
XHW-34C			●	●	●	●	●	●	●	●	●	●	●	●	●														
XHW-39C				●	●	●	●	●	●	●	●	●	●	●	●	●	●	●	●	●									
XHW-44C					●	●	●	●	●	●	●	●	●	●	●	●	●	●	●	●	●	●							
XHW-56C						●	●	●	●	●	●	●	●	●	●	●	●	●	●	●	●	●	●	●	●	●	●	●	●
XHW-64C							●	●	●	●	●	●	●	●	●	●	●	●	●	●	●	●	●	●	●	●	●	●	●
XHW-79C								●	●	●	●	●	●	●	●	●	●	●	●	●	●	●	●	●	●	●	●	●	●
XHW-19C-L	●	●	●	●	●	●																							
XHW-25C-L		●	●	●	●	●	●	●	●	●	●	●																	
XHW-27C-L		●	●	●	●	●	●	●	●	●	●	●	●																
XHW-34C-L			●	●	●	●	●	●	●	●	●	●	●	●	●														
XHW-39C-L				●	●	●	●	●	●	●	●	●	●	●	●	●	●	●	●	●	●	●	●	●	●	●	●	●	●

- All products are provided with hex socket head cap screw.
- Recommended dimensional allowances of applicable shaft diameter are h6 and h7.
- In case of mounting on D-cut shaft, be careful about the position of the D-cut surface of the shaft. → P.257

Additional Keyway at Shaft Hole → P.788

Cleanroom Wash & Packaging → P.792

Change to Stainless Steel Screw → P.790

Available / Add'l charge

Available / Add'l charge

Please feel free to contact us