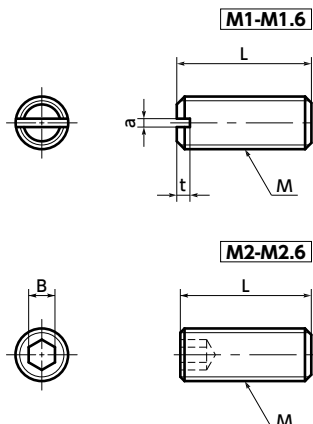




# SNTS Set Screws for Precision Instruments

[WEB Selection Tool](#)
[WEB CAD Download](#)
[Miniature Size](#)
[SUS Stainless steel](#)



- Miniature screws for precision instruments in sizes from M1 to M2.6.
- Set screws with flat point.
- Application  
Reducing the size of equipment and devices  
Compact precision instruments

• Material/Finish RoHS Compliant

	M1-M1.6	M2-M2.6
Main Body	SUS303	SUSXM7 (S.S. grade : A2)

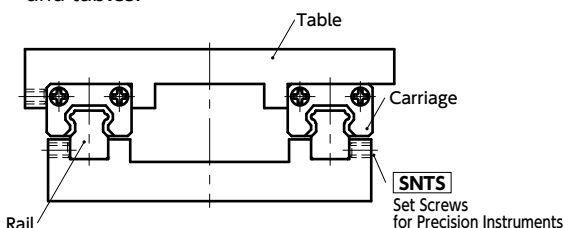
Unit : mm

Part Number	M	L				a	t	B	Max. Torque (N·m)	Mass (g)
<b>SNTS-M1-FP</b>	M1	3	4	5	6	0.35	0.35		0.003	0.012 - 0.023
<b>SNTS-M1.4-FP</b>	M1.4	3	4	5	6	0.4	0.45		0.02	0.022 - 0.049
<b>SNTS-M1.6-FP</b>	M1.6	3	4	5	6	0.4	0.5		0.03	0.029 - 0.062
<b>SNTS-M2-FP</b>	M2	3	4	5	6			0.9	0.2	0.041 - 0.092
<b>SNTS-M2.5-FP</b>	M2.5		4	5	6			1.3	0.4	0.055 - 0.13
<b>SNTS-M2.6-FP</b>	M2.6		4	5				1.3	0.4	0.094 - 0.13

Part Number	Qty per pack*1
<b>SNTS-M1-FP</b>	10
<b>SNTS-M1.4-FP</b>	10
<b>SNTS-M1.6-FP</b>	10
<b>SNTS-M2-FP</b>	10
<b>SNTS-M2.5-FP</b>	10
<b>SNTS-M2.6-FP</b>	10

\*1 The minimum order quantity is 1 piece. → P.794

- Usage example  
To locate and fix miniature linear guideway rails and tables.



- Part number specification

## SNTS-M2-3-FP

Product Code 1 2 Flat point

Order in number of packs.  
The minimum order quantity is 1 piece. → P.794

<a href="#">1 Individual Sales</a> → P.794	<a href="#">Cleanroom Wash &amp; Packaging</a> → P.792	<a href="#">Screw Length Adjustment</a> → P.796	<a href="#">Vibration Resistant</a> → P.795	<a href="#">Modification process for captive use</a> → P.791
Available / Add'l charge	Available / Add'l charge	Not Available	Not Available	Not Available