

# SNZS Pan Head Machine Screws for Precision Instruments - Stainless Steel Additional Size

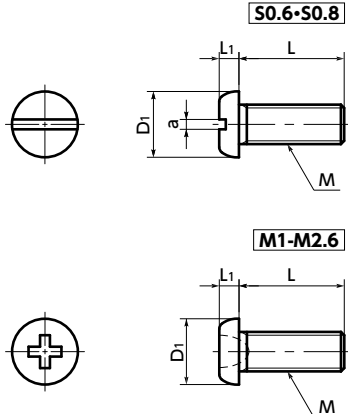


WEB Selection Tool

WEB CAD Download

Miniature Size

SUS Stainless steel



- Miniature screws for precision instruments in sizes from S0.6 to S0.8 and M1 to M2.6.
- Pan head machine screws of low profile. For applications with limited overhead space.

### • Application

Reducing the size of equipment and devices  
Compact precision instruments

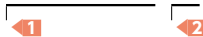
### • Material/Finish

RoHS Compliant

	<b>SNZS</b>
Main Body	SUSXM7 (S.S. grade : A2)

### • Part number specification

## SNZS-M2-3



Order in number of packs.  
The minimum order quantity is 1 piece. ➔ P.794

Part Number	M	L										Unit : mm							
		1	2	3	4	5	6	8	10	12	14	D1	L1	a	Max. Torque (N·m)	Mass (g)			
<b>SNZS-S0.6</b>	M0.6	1	1.5	2											1.3	0.4	0.25	0.005	0.0031 - 0.0058
<b>SNZS-S0.8</b>	M0.8	1	1.5	2											1.6	0.5	0.25	0.01	0.0067 - 0.011
<b>SNZS-M1</b>	M1			2	3	4	5								1.8	0.45		0.02	0.013 - 0.025
<b>SNZS-M1.4</b>	M1.4			2	3	4	5	6	8	10					2	0.5		0.07	0.024 - 0.09
<b>SNZS-M1.6</b>	M1.6			2	3	4	5	6	8	10	12				2.3	0.5		0.1	0.014 - 0.13
<b>SNZS-M1.7</b>	M1.7			2	3	4	5	6	8	10	12	14			2.5	0.5		0.14	0.036 - 0.18
<b>SNZS-M2</b>	M2			2	2.5	3	3.5	4	5	6	8	10	12	14	3	0.6		0.22	0.055 - 0.26
<b>SNZS-M2.5</b>	M2.5					3		4	5	6	8				3.8	0.8		0.46	0.13 - 0.28
<b>SNZS-M2.6</b>	M2.6				2.5	3		4	5	6	8				4	0.8		0.53	0.13 - 0.3

Part Number	Qty per pack*1
<b>SNZS-S0.6</b>	10
<b>SNZS-S0.8</b>	10
<b>SNZS-M1</b>	50
<b>SNZS-M1.4</b>	50
<b>SNZS-M1.6</b>	50
<b>SNZS-M1.7</b>	50
<b>SNZS-M2</b>	50
<b>SNZS-M2.5</b>	50
<b>SNZS-M2.6</b>	50

\*1 The minimum order quantity is 1 piece. ➔ P.794

Individual Sales ➔ P.794	Cleanroom Wash & Packaging ➔ P.792	Screw Length Adjustment ➔ P.796	Vibration Resistant ➔ P.795	Modification process for captive use ➔ P.791
Available / Add'l charge	Available / Add'l charge	Not Available	Not Available	Not Available