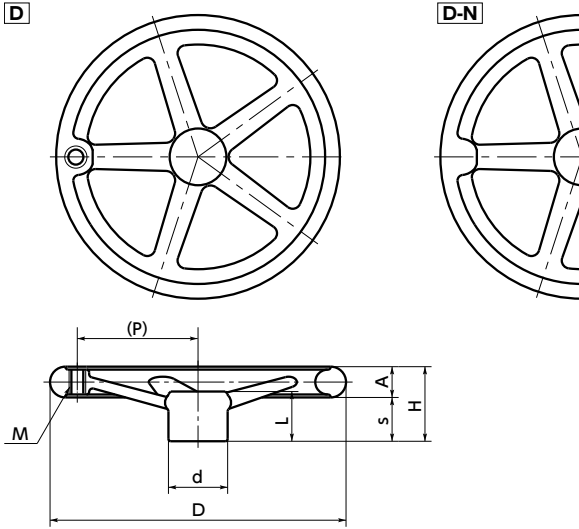


D Offset Handwheel



[WEB Selection Tool](#)
[WEB CAD Download](#)
 Shaft bore process required



- With / without grip mounting hole can be selected by the end symbol of the part number.
 - D** — With grip mounting hole
 - D-N** — Without grip mounting hole
- No grip is supplied with this product. Please separately order a grip. → P.395 List of grips
- Material/Finish ✔ RoHS Compliant

	D
Main body	FC200 Chrome Plating

Part Number With grip mounting holes	M	P	Part Number Without grip mounting holes	D	H	A	s	d	L	Number of spokes	Mass (g)
D-80	M5	27	D-80-N	80	36	14	22	24	24	3	430
D-100	M5	35.5	D-100-N	100	39	15	24	30	25	3	630
D-125	M6	46.5	D-125-N	125	40	16	24	33	28	3	755
D-140	M6	53.5	D-140-N	140	44	17	27	35	30	3	1360
D-150	M8	56	D-150-N	150	46	18	28	35	32	3	1410
D-160	M8	61	D-160-N	160	46	18	28	37	32	3	1200
D-200	M10	77	D-200-N	200	60	24	36	43	41	3	2250
D-250	M10	101.5	D-250-N	250	63	25	38	50	42	5	3710
D-300	M12	122	D-300-N	300	66	26	40	56	45	5	6150
D-315	M12	128.5	D-315-N	315	72	28	44	60	49	5	6650

Recommended applicable grip

Part Number	Recommended applicable grip	
	RM → P.412	SM → P.416
D-80		SM-5
D-100		SM-5
D-125	RM-6	SM-6
D-140	RM-6	SM-6
D-150	RM-8	SM-8
D-160	RM-8	SM-8
D-200	RM-10	SM-10
D-250	RM-10	SM-10
D-300	RM-12	SM-12
D-315	RM-12	SM-12

Part number specification

D - 80-N

Product Code ❶ ❷

Cleanroom Wash & Packaging → P.792	Vibration Resistant → P.795	Laser Marking → P.806	Modification of Shaft Hole Diameter → P.800
Not Available	Not Available	Not Available	Available / Add'l charge