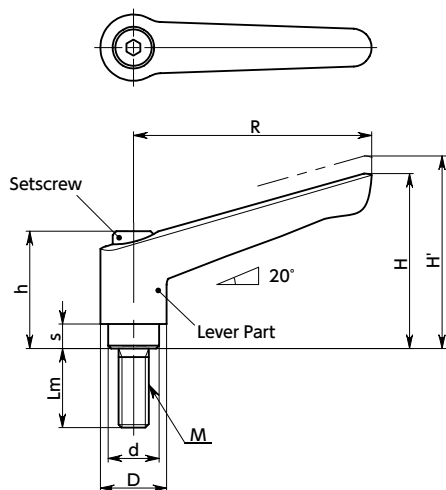


LEM / LEME / LEMS Plastic Clamp Lever, Male Screw

Recommendation

Additional Size

WEB Selection Tool WEB CAD Download SUS Stainless steel



- A serration ring made of zinc die cast is inserted into the lever body made of plastic. They also realize sufficient strength for fitting with metal thread serration.
- A rich variety of thread sizes from M3 to M12 are available.
- There are three types of combinations of thread part materials / surface treatments:
 - LEM** — Made of steel / ferrosferic oxide film (black)
 - LEME** — Made of steel / electroless nickel plating
 - LEMS** — Made of stainless steel
- **LEME** has electroless nickel plating applied to its thread part made of steel to enhance its corrosion resistance.
- There are three color variations for the lever part. They can be selected by the end symbol of the part number.

End Symbol	Lever Part Color
BK	Matte black
SG	Matte silver
OR	Matte orange

Dimensions

LEM Thread part: made of steel / ferrosferic oxide film **LEME** Thread part: made of steel / electroless nickel plating

LEMS Thread part: stainless steel

Unit : mm

Part Number	Part Number	Part Number	M (coarse)	R	H	H'	h	s	D	d	Number of Teeth	Max.*1 load (N)	Max.*1 clamping force (kN)	Mass (g)
LEM-3		LEMS-3	M3	45	35.5	39	24.5	4.2	13	10	18	9	0.95	15
LEM-4	LEME-4	LEMS-4	M4	45	35.5	39	24.5	4.2	13	10	18	21	1.7	15 - 16
LEM-5	LEME-5	LEMS-5	M5	45	35.5	39	24.5	4.2	13	10	18	42	2.7	16 - 20
LEM-6	LEME-6	LEMS-6	M6	45	35.5	39	24.5	4.2	13	10	18	70	3.8	16 - 22
LEM-6B		LEMS-6B	M6	63	46.3	50.3	31	6.5	17.5	13.5	24	50	3.8	35 - 44
LEM-8	LEME-8	LEMS-8	M8	63	46.3	50.3	31	6.5	17.5	13.5	24	120	7	38 - 53
LEM-8B		LEMS-8B	M8	78	55.4	59.4	36	8	21	16	26	100	7	61 - 82
LEM-10A			M10	63	46.3	50.3	31	6.5	17.5	13.5	24	240	11	43 - 84
LEM-10	LEME-10	LEMS-10	M10	78	55.4	59.4	36	8	21	16	26	200	11	65 - 96
LEM-12A			M12	78	55.4	59.4	36	8	21	16	26	350	16	75 - 113
LEM-12	LEME-12	LEMS-12	M12	92	66	70	43	11	25	19	28	290	16	112 - 149

*1 About the definition of max. load / max. clamping force → P.270

• Related Products

Female screw type **LEF** **LEFE**

LEFS with the same shape as **LEM** **LEME** **LEMS** is available.

→ P.276



Cleanroom Wash & Packaging → P.792 Screw Combination → P.798 Screw Length Adjustment → P.796 Vibration Resistant → P.795 Laser Marking → P.806

Please feel free to contact us

Not Available

Available / Add'l charge

Not Available

Available / Add'l charge