

# Swivel pad (rubber only)/PUG

## How to order

PUG - <sup>①</sup>10 - <sup>②</sup>N

① Pad diameter (mm)

10	φ10	50	φ50
15	φ15	60	φ60
20	φ20	80	φ80
25	φ25	100	φ100
30	φ30	120	φ120
35	φ35	150	φ150
40	φ40	200	φ200

② Pad rubber material

N	NBR (Nitrile rubber)
S	Silicone rubber
U	Urethane rubber
F	Fluorine rubber

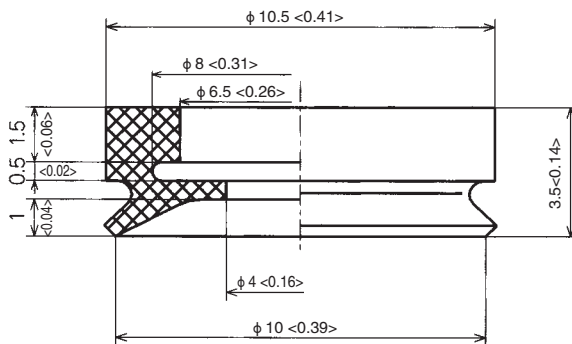
Note) Please consult with us for other material.

## Pad standard specifications

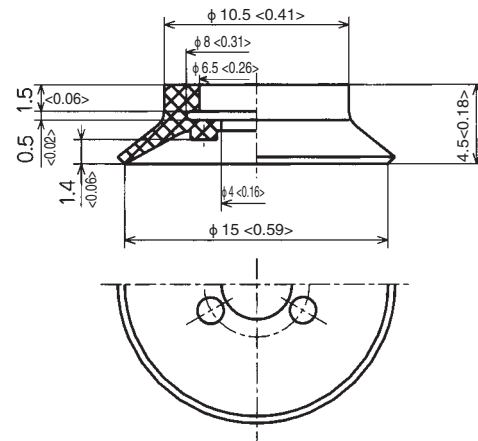
Symbol	Material	Hardness(Hs)	Ambient temperature	Color
N	NBR (Nitrile rubber)	A55/S	-26 ~ 120°C	Black
S	Silicone rubber	A55/S	-60 ~ 250°C	White
U	Urethane rubber	A55/S	-20 ~ 75°C	Blue
F	Fluorine rubber	A70/S	-10 ~ 230°C	Black with white dot

## Dimensions

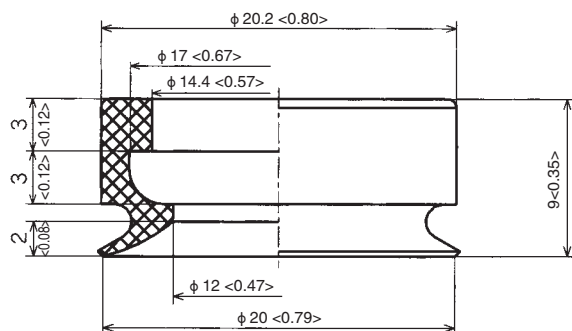
Unit : mm <inch>



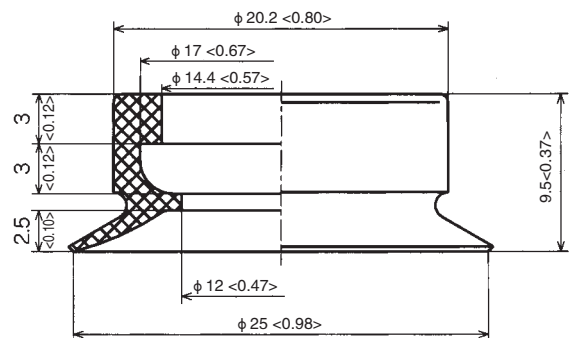
PUG-10



PUG-15



PUG-20



PUG-25

Suction pads