

Simple pad with spring fitting / PSS

How to order

PSS - ^①L3 - PBG - ^②10A - ^③N

① Stroke

L3	3mm Stroke
L5	5mm Stroke

② Pad diameter (mm)

10A	φ10
15A	φ15

③ Pad rubber material

N	NBR(Nitrile rubber)
S	Silicone rubber
U	Urethane rubber
F	Fluorine rubber
NE	Conductive NBR(Nitrile rubber)
SE	Conductive Silicone rubber

Note) Please consult with us for other material.

Pad standard specifications

Symbol	Material	Hardness(Hs)	Ambient temperature	Color	Volume resistivity Note1・2
N	NBR(Nitrile rubber)	A55/S	-26 ~ 120°C	Black	-
S	Silicone rubber	A55/S	-60 ~ 250°C	White	-
U	Urethane rubber	A55/S	-20 ~ 75°C	Blue	-
F	Fluorine rubber	A70/S	-10 ~ 230°C	Black with white dot	-
NE	Conductive NBR(Nitrile rubber)	A70/S	-26 ~ 120°C	Black with blue dot	10 ² ~ 10 ³ Ω・cm
SE	Conductive Silicone rubber	A55/S	-60 ~ 250°C	Black with red dot	10 ² ~ 10 ⁴ Ω・cm

Note1) Volume resistivity shows conductivity, resistance value is per cm³.

Note2) It is the measured value of in our designated test piece.

Applicable fitting table

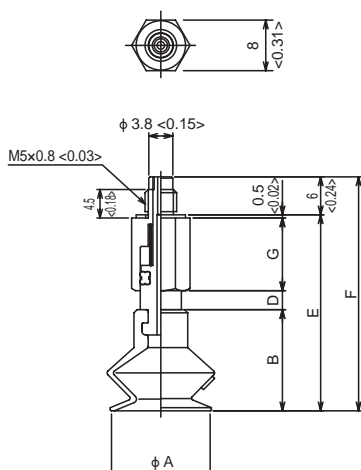
Fitting	How to order	Round pad	
		10A	15A
○	PSS-L3	○	○
	PSS-L5	○	○

Note) Pad is attached directly to the fitting.

Note) Please attach with a torque of 0.58 ~ 0.68 N・m.

Dimensions

Unit : mm <inch>



mm

PSS	A	B	C	D	E	F	G	F ¹	F ²	Mass(g)
PSS-L3-PBG-10A	10.6	13.5	/	3	28.5	34.5	11.5	1.5	2.3	10
PSS-L3-PBG-15A	15	16		3	31	37	11.5	1.5	2.3	10
PSS-L5-PBG-10A	10.6	13.5	/	5	32.5	38.5	13.5	1.5	2.3	11
PSS-L5-PBG-15A	15	16		5	35	41	13.5	1.5	2.3	11

inch

PSS	A	B	C	D	E	F	G	F ¹	F ²	Mass(g)
PSS-L3-PBG-10A	0.42	0.53	/	0.12	1.12	1.36	0.45	1.5	2.3	10
PSS-L3-PBG-15A	0.59	0.63		0.12	1.22	1.46	0.45	1.5	2.3	10
PSS-L5-PBG-10A	0.42	0.53	/	0.2	1.28	1.52	0.53	1.5	2.3	11
PSS-L5-PBG-15A	0.59	0.63		0.2	1.38	1.61	0.53	1.5	2.3	11

Note) Symbol F¹ in the table shows a spring load (N) at 0 stroke, and F² at full stroke.
In the terms of structure, when the works is being absorbed, the stroke will rise.