

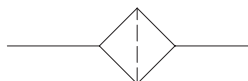
Vacuum filters VF series



- High vacuum (air) flow
- Flat type design
- Easy maintenance
 - Change only filter element
- Several port sizes available

Rp1/8, Rp1/4, Rc3/8

Symbol



How to order

VF - 3

Port size	
3	Rp1/8
5	Rp1/4
6	Rc3/8

Maintenance parts

● Element

Reference	Applicable part
VF-3E	VF-3
VF-5E	VF-5
VF-6E	VF-6

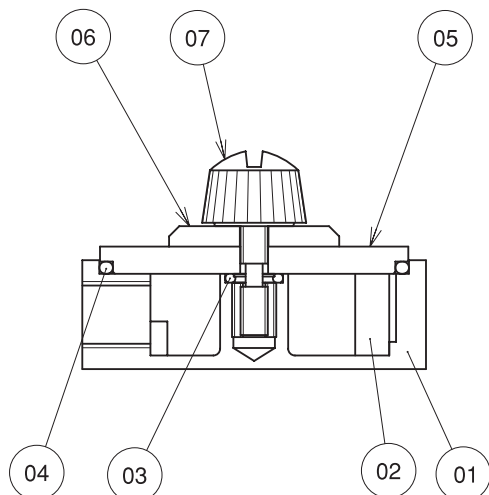
● Filter kit (cover and O-ring)

Model	Applicable part
VF-3K	VF-3
	VF-5
	VF-6

Specifications

Description	Unit	VF-3	VF-5	VF-6
Fluid		Non-lubricated air / non-corrosive gas		
Ambient temperature	°C	0 ~ 60		
Operating pressure range	kPa	-95.9 ~ 0		
Proof pressure	MPa	0.5		
Port size		Rp1/8	Rp1/4	Rc3/8
Filtration rate	µm	15		
Suitable ejector nozzle diameter	mm	less than φ1.0	less than φ1.5	less than φ2.0
Mass	g	90	150	235

Construction



Main Parts

Parts	Part name	Material
1	Body	Aluminium
2	Element	PVF
3	O-ring	NBR
4	O-ring	NBR
5	Cover	PC
6	Cover ring	Iron
7	Screw	-