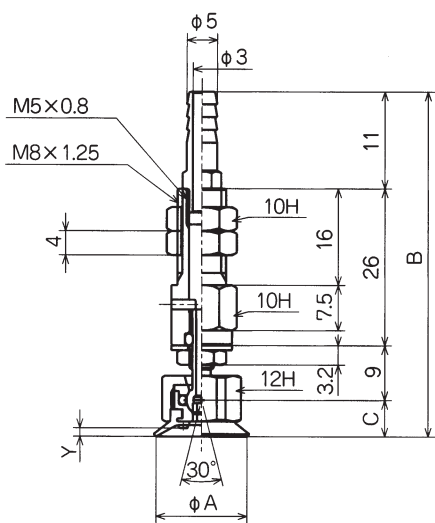
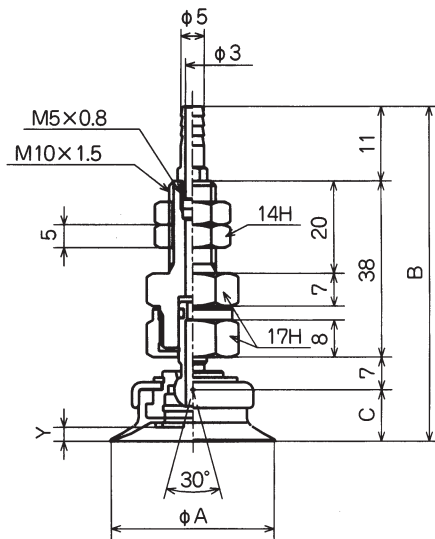


外形寸法図

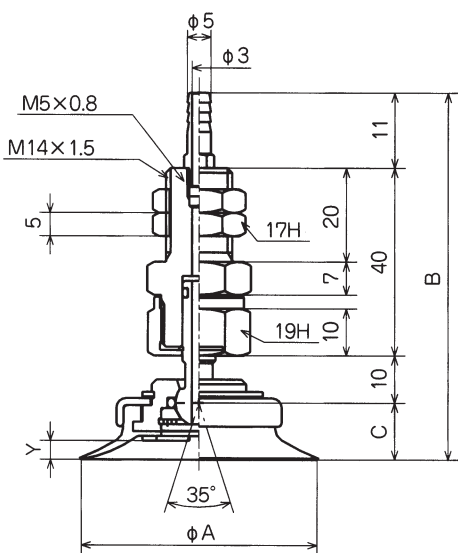
(mm)



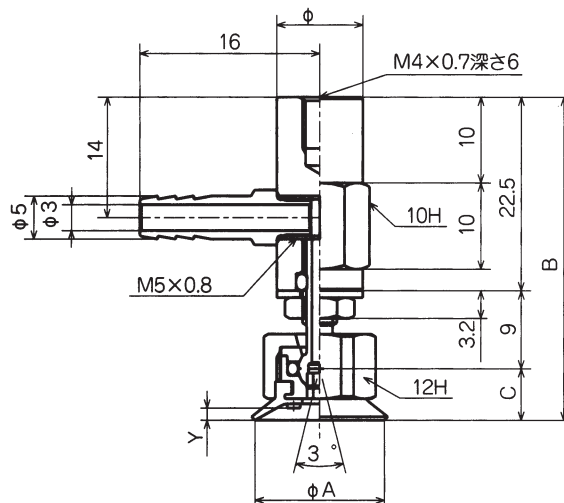
PUTKB-10/15



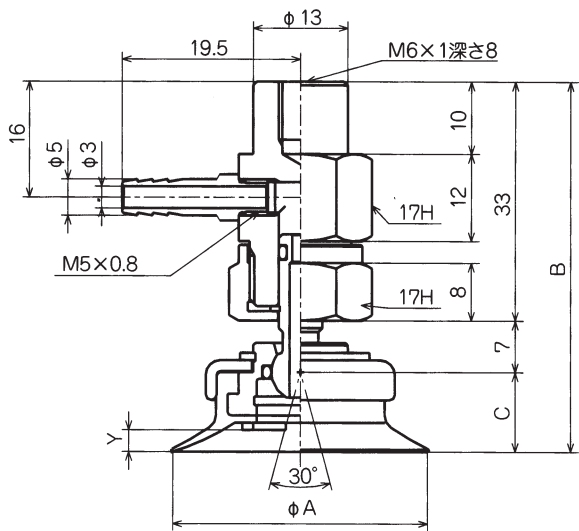
PUTKB-20/25/30/35



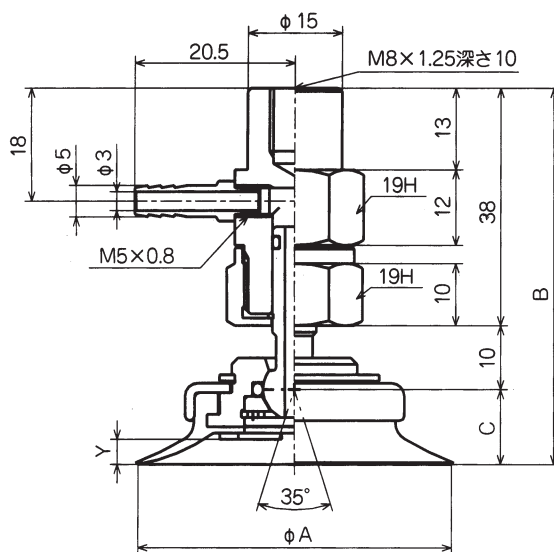
PUTKB-40/50



PUYKB-10/15



PUYKB-20/25/30/35



PUYKB-40/50