

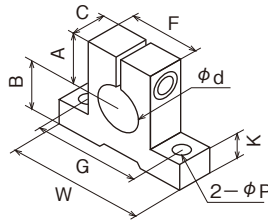
600

to raise horizontal and vertical shaft.
2- ϕp for parts attachment



core level adjustment base
Refer to page 93

Horizontal hole



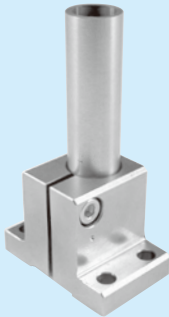
SUS 303	ϕd	A	B	K	C	W	F	G	ϕP	Cap screw
PE3S600	8	11	11	6	10	32	16	25	4.5	M4
PC3S600	9	11	11	6	10	32	16	25	4.5	M4
PF3S600	10	11	11	6	10	32	16	25	4.5	M4
PG3S600	12	14	14	7	10	38	20	30	4.5	M4
PJ3S600	13	14	14	7	10	38	20	30	4.5	M4
PN3S600	16	18	18	9	14	48	26	38	5.5	M5
PL3S600★	19.1	20	20	10	14	52	30	42	5.5	M5
PQ3S600	20	20	20	10	14	52	30	42	5.5	M5

SUS 304	ϕd	A	B	K	C	W	F	G	ϕP	Cap screw
PE4S600	8	11	11	6	10	32	16	25	4.5	M4
PC4S600	9	11	11	6	10	32	16	25	4.5	M4
PF4S600	10	11	11	6	10	32	16	25	4.5	M4
PG4S600	12	14	14	7	10	38	20	30	4.5	M4
PJ4S600	13	14	14	7	10	38	20	30	4.5	M4
PN4S600	16	18	18	9	14	48	26	38	5.5	M5
PL4S600★	19.1	20	20	10	14	52	30	42	5.5	M5
PQ4S600	20	20	20	10	14	52	30	42	5.5	M5

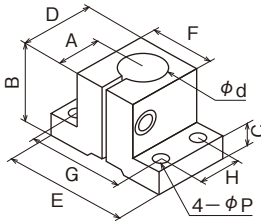
★= ϕd tolerance is 0 / -0.05

601

to fix vertical shaft



Vertical hole



SUS 303	ϕd	A	B	C	D	E	F	G	H	ϕP	Cap screw
PE3S601	8	12	22	6	18	32	16	25	10	3.5	M4
PC3S601	9	13	22	6	20	32	16	25	12	3.5	M4
PF3S601	10	13	22	6	20	32	16	25	12	3.5	M4
PG3S601	12	15	28	7	24	38	20	30	14	4.5	M4
PJ3S601	13	15	28	7	24	38	20	30	14	4.5	M4
PN3S601	16	18	36	9	30	48	26	38	18	5.5	M5
PL3S601★	19.1	20.5	40	10	35	52	30	42	23	5.5	M5
PQ3S601	20	20.5	40	10	35	52	30	42	23	5.5	M5

SUS 304	ϕd	A	B	C	D	E	F	G	H	ϕP	Cap screw
PE4S601	8	12	22	6	18	32	16	25	10	3.5	M4
PC4S601	9	13	22	6	20	32	16	25	12	3.5	M4
PF4S601	10	13	22	6	20	32	16	25	12	3.5	M4
PG4S601	12	15	28	7	24	38	20	30	14	4.5	M4
PJ4S601	13	15	28	7	24	38	20	30	14	4.5	M4
PN4S601	16	18	36	9	30	48	26	38	18	5.5	M5
PL4S601★	19.1	20.5	40	10	35	52	30	42	23	5.5	M5
PQ4S601	20	20.5	40	10	35	52	30	42	23	5.5	M5

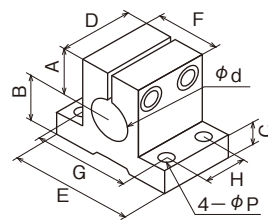
★= ϕd tolerance is 0 / -0.05

620

for more firm attachment than #600
Parts attachment done by 4- ϕp



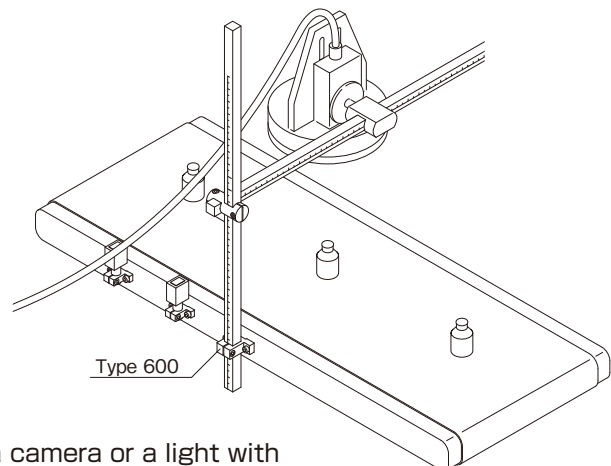
Horizontal



SUS 303	ϕd	A	B	C	D	E	F	G	H	ϕP	Cap screw
PE3S620	8	11	11	6	16	32	16	25	8	3.5	M3
PC3S620	9	11	11	6	18	32	16	25	10	3.5	M3
PF3S620	10	11	11	6	18	32	16	25	10	3.5	M3
PG3S620	12	14	14	7	24	38	20	30	14	4.5	M4
PJ3S620	13	14	14	7	24	38	20	30	14	4.5	M4
PN3S620	16	18	18	9	30	48	26	38	18	5.5	M5
PL3S620★	19.1	20	20	10	38	52	30	42	23	5.5	M5
PQ3S620	20	20	20	10	38	52	30	42	23	5.5	M5

SUS 304	ϕd	A	B	C	D	E	F	G	H	ϕP	Cap screw
PE4S620	8	11	11	6	16	32	16	25	8	3.5	M3
PC4S620	9	11	11	6	18	32	16	25	10	3.5	M3
PF4S620	10	11	11	6	18	32	16	25	10	3.5	M3
PG4S620	12	14	14	7	24	38	20	30	14	4.5	M4
PJ4S620	13	14	14	7	24	38	20	30	14	4.5	M4
PN4S620	16	18	18	9	30	48	26	38	18	5.5	M5
PL4S620★	19.1	20	20	10	38	52	30	42	23	5.5	M5
PQ4S620	20	20	20	10	38	52	30	42	23	5.5	M5

★= ϕd tolerance is 0 / -0.05



Installation of a camera or a light with a square shaft without a shake