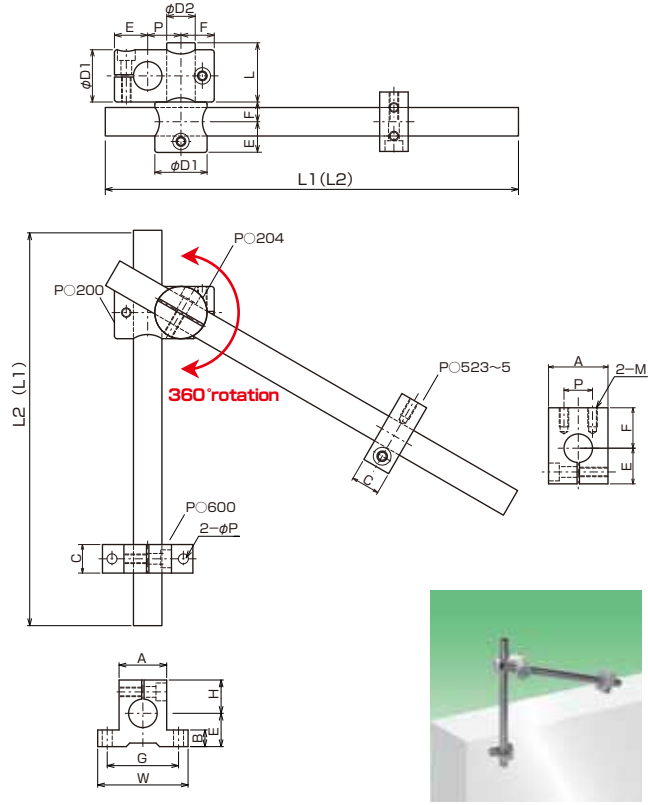


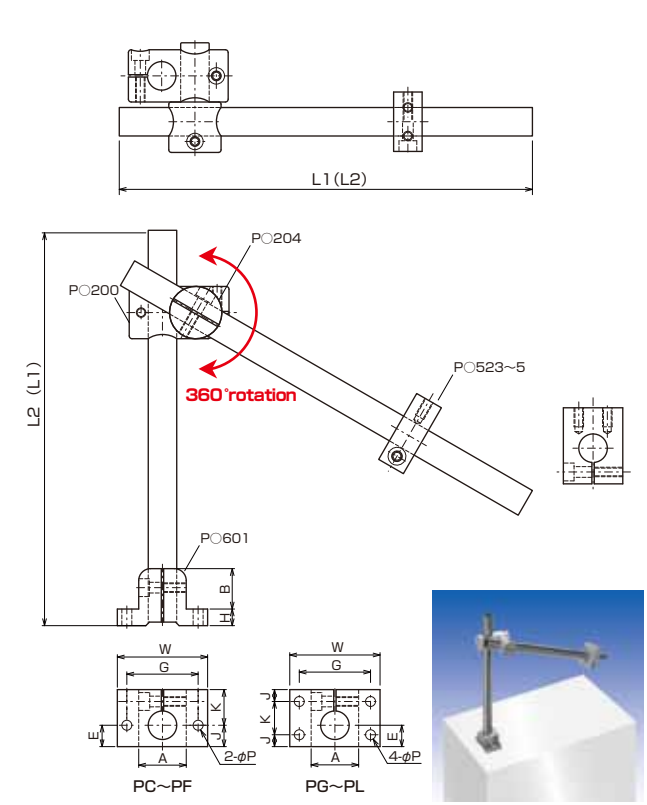
You can fix it at a free angle in a combination with 200 and 204.

Arm Kit

Type C (Fixing on the side surface)



Type D (Fixing on the side surface)



Type C (Fixing on the side surface)		Pipe diameter	Kit contents																													
			Common PIJON for C and D																													
			Form	C	B	E	H	A	W	G	2-φP	Form	φD1	E	P	F	Form	φD1	φD2	E	F	L	Form	E	F	A	C	P	M	Form	L1	L2
PCS23C	100-100 100-200 200-200	φ 9	PC600	10	6.5	11	11.5	16	32	24	φ 4.2	PC200	φ 15	12	10	12	PC204	φ 15	φ 9	12	7	16	PC523	13	15	20	10	8	2-M3	SS0908	100	100
PFS23C	100-100 100-200 200-200	φ 10	PF600	10	6.5	11	11.5	16	32	24	φ 4.2	PF200	φ 15	13	11	13	PF204	φ 15	φ 10	13	7	17	PF523	13	15	20	10	8	2-M3	SS1008	100	200
PGS23C	200-200 200-300 300-300	φ 12	PG600	12	7	14	14	20	38	30	φ 4.2	PG200	φ 22	14	14	14	PG204	φ 22	φ 12	14	9	23	PG523	15	17	25	12	8	2-M3	SS1208	200	300
PJS23C	200-200 200-300 300-300	φ 13	PJ600	10	7	14	14	20	38	30	φ 4.2	PJ200	φ 22	14	14	14	PJ204	φ 22	φ 13	14	9	23	PJ523	15	17	25	12	8	2-M3	SS1308	200	300
PKS24C	200-200 200-300 300-300	φ 15	PK600	14	9	18	18	26	48	38	φ 5.2	PK200	φ 25	17.5	18	17.5	PK204	φ 25	φ 15	18	11	25	PK524	18	20	28	14	10	2-M4	SS1515	200	300
PNS24C	200-200 200-300 300-300	φ 16	PN600	14	9	18	18	26	48	38	φ 5.2	PN200	φ 25	17.5	18	17.5	PN204	φ 25	φ 16	18	11	25	PN524	18	20	28	14	10	2-M4	SS1615	200	300
PLS25C	200-200 200-300 300-300	φ 19	PL600	14	9	18	18	26	48	38	φ 5.2	PL200	φ 29	19	21	19	PL204	φ 29	φ 19	19	12	30	PL525	20	25	30	15	10	2-M5	SS1910	200	300

Note) Please refer to C type for the size of a common PIJON for C and D.

Type D (Flat fixing)		Pipe diameter	Kit contents																											
			Common PIJON for C and D																											
			Form	H	B	E	A	W	G	J	K	φ P	Form	Form	Form	Form	Form	Form	Form	Form	Form	Form	Form	Form	Form	Form	Form	Form	Form	Form
PCS23D	100-100 100-200 200-200	φ 9	PC601	6	13	7	16	32	24	7	11	2-φ 4.2	PC200	PC204	PC523	SS0908	100	100												
PFS23D	100-100 100-200 200-200	φ 10	PF601	6	13	8	16	32	24	8	12	2-φ 4.2	PF200	PF204	PF523	SS1008	100	100												
PGS23D	200-200 200-300 300-300	φ 12	PG601	7	17	9	20	38	30	5	14	4-φ 4.2	PG200	PG204	PG523	SS1208	200	200												
PJS23D	200-200 200-300 300-300	φ 13	PJ601	7	17	10	20	38	30	5	14	4-φ 4.2	PJ200	PJ204	PJ523	SS1308	200	200												
PKS24D	200-200 200-300 300-300	φ 15	PK601	9	22	12	26	48	38	6	18	4-φ 5.2	PK200	PK204	PK524	SS1515	200	200												
PNS24D	200-200 200-300 300-300	φ 16	PN601	9	22	12	26	48	38	6	18	4-φ 5.2	PN200	PN204	PN524	SS1615	200	200												
PLS25D	200-200 200-300 300-300	φ 19	PL601	9	22	14	26	48	38	6	21	4-φ 5.2	PL200	PL204	PL525	SS1910	200	200												

