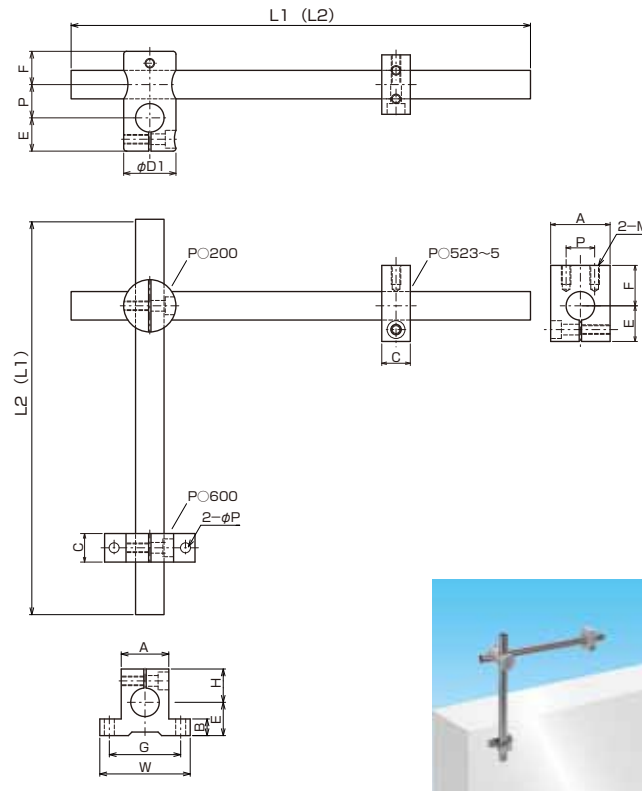
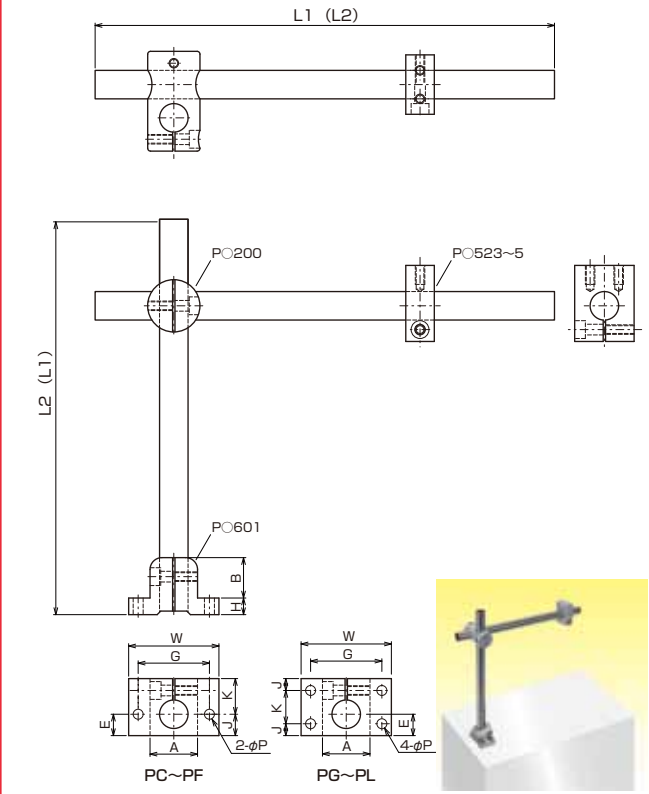


It is useful for a simple fixing and a positioning.

Type A (Fixing on the side surface)



Type B (Flat fixing)



Arm Kit

Type A (Fixing on the side surface)	Pipe diameter	Kit contents																								
		Common PIJON for A and B																		Pipe						
		Form	C	B	E	H	A	W	G	2-φP	Form	φD1	E	P	F	Form	E	F	A	C	P	M	Form	L1	L2	
PCS23A	100-100 100-200 200-200	φ 9	PC600	10	6.5	11	11.5	16	32	24	φ 4.2	PC200	φ15	12	10	12	PC523	13	15	20	10	8	2-M3	SS0908	100	100
PFS23A	100-100 100-200 200-200	φ 10	PF600	10	6.5	11	11.5	16	32	24	φ 4.2	PF200	φ15	13	11	13	PF523	13	15	20	10	8	2-M3	SS1008	100	100
PGS23A	200-200 200-300 300-300	φ 12	PG600	12	7	14	14	20	38	30	φ 4.2	PG200	φ22	14	14	14	PG523	15	17	25	12	8	2-M3	SS1208	200	300
PJS23A	200-200 200-300 300-300	φ 13	PJ600	10	7	14	14	20	38	30	φ 4.2	PJ200	φ22	14	14	14	PJ523	15	17	25	12	8	2-M3	SS1308	200	300
PKS24A	200-200 200-300 300-300	φ 15	PK600	14	9	18	18	26	48	38	φ 5.2	PK200	φ25	17.5	18	17.5	PK524	18	20	28	14	10	2-M4	SS1515	200	300
PNS24A	200-200 200-300 300-300	φ 16	PN600	14	9	18	18	26	48	38	φ 5.2	PN200	φ25	17.5	18	17.5	PN524	18	20	28	14	10	2-M4	SS1615	200	300
PLS25A	200-200 200-300 300-300	φ 19	PL600	14	9	18	18	26	48	38	φ 5.2	PL200	φ29	19	21	19	PL525	20	25	30	15	10	2-M5	SS1910	200	300

Note) Please refer to A type for the size of a common PIJON for A and B.

Type B (Flat fixing)	Pipe diameter	Kit contents																			
		Common PIJON for A and B																		Pipe	
		Form	H	B	E	A	W	G	J	K	φ P	Form	Form	Form	L1	L2					
PCS23B	100-100 100-200 200-200	φ 9	PC601	6	13	7	16	32	24	7	11	2-φ 4.2	PC200	PC523	SS0908	100	100				
PFS23B	100-100 100-200 200-200	φ 10	PF601	6	13	8	16	32	24	8	12	2-φ 4.2	PF200	PF523	SS1008	100	100				
PGS23B	200-200 200-300 300-300	φ 12	PG601	7	17	9	20	38	30	5	14	4-φ 4.2	PG200	PG523	SS1208	200	300				
PJS23B	200-200 200-300 300-300	φ 13	PJ601	7	17	10	20	38	30	5	14	4-φ 4.2	PJ200	PJ523	SS1308	200	300				
PKS24B	200-200 200-300 300-300	φ 15	PK601	9	22	12	26	48	38	6	18	4-φ 5.2	PK200	PK524	SS1515	200	300				
PNS24B	200-200 200-300 300-300	φ 16	PN601	9	22	12	26	48	38	6	18	4-φ 5.2	PN200	PN524	SS1615	200	300				
PLS25B	200-200 200-300 300-300	φ 19	PL601	9	22	14	26	48	38	6	21	4-φ 5.2	PL200	PL525	SS1910	200	300				

