

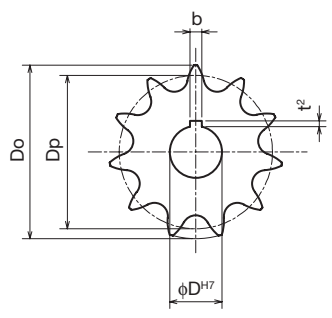
FBK50B

● Order No. Example

FBK 50B 20 D22

Type No. of Teeth ϕ D H7

Sprocket No.



- Chain No.50
- Chain Pitch (P)15.875mm
- Roller Link Inner Width (W) 9.53 mm
- Roller Outside Diameter (Dr)10.16 mm
- Tooth Width (T) 8.7 mm

Type	No. of Teeth	Outer Diameter Do	Pitch Diameter Dp	Boss Diameter BD	Boss Length BL	a	Weight kg	ϕ D ^{H7}	¥	
FBK 50B	9	53	46.41	★34	25	5	0.20	17		
	10	58	51.37	★40	25	5	0.27	15 20		
	11	64	56.35	★45.5	25	5	0.33	17 20		
	12	69	61.34	★50	25	5	0.41	17 18 19 20		
	13	74	66.34	★51	25	5	0.46	18 20		
	14	79	71.34	52	25	7	0.52	18 20		
	15	84	76.35	57	25	7	0.62	15 20		
	16	89	81.37	62	25	7	0.72	19 20 22 24 25 28 30 32 35		
	17	94	86.39	67	25	7	0.83	18 20		
	18	100	91.42	72	28	8	1.00	20		
	19	105	96.45	73	28	8	1.10	24 25 28 30		
	20	110	101.48	73	28	8	1.20	18 20 22		
	21	115	106.51	73	28	8	1.20	24 25 28 30		
	22	120	111.55	73	28	8	1.30	22 25 28 30		
	23	125	116.58	73	28	8	1.30	24 25 28 30		
	24	130	121.62	73	28	8	1.40	22 25 28 30		
	25	135	126.66	73	28	8	1.50	24 25 28 30		
	26	140	131.70	73	28	8	1.50	25 28 30		
	27	145	136.74	73	28	8	1.50	30		
	28	150	141.79	73	28	8	1.60	25 28 30		
	29	155	146.83	73	28	8	1.70	30		
	30	161	151.87	73	28	8	1.80	28 30		
	32	171	161.96	73	28	8	1.90	25 30		
	33	176	167.01	73	28	8	2.00	35		
	34	181	172.05	73	28	8	2.10	30		
	35	186	177.10	73	28	8	2.20	25 30		