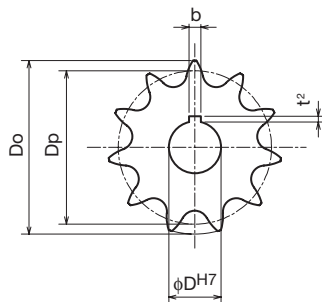


# FBK40B

## Order No. Example

### FBK 40B 18 D20

Type      No. of Teeth       $\phi$ D H7  
Sprocket No.



- Chain ..... No.40
- Chain Pitch ..... (P) 12.70mm
- Roller Link Inner Width ..... (W) 7.95mm
- Roller Outside Diameter ..... (Dr) 7.92mm
- Tooth Width ..... (T) 7.2 mm

Type	No. of Teeth	Outer Diameter Do	Pitch Diameter Dp	Boss Diameter BD	Boss Length BL	a	Weight kg	$\phi$ D <sup>H7</sup>	¥
FBK 40B	9	42	37.13	★28	22	5	0.11	12	
	10	46	41.10	★32	22	5	0.14	12	
	11	51	45.08	★36	22	5	0.19	12 15 17	
	12	55	49.07	★40	22	5	0.22	12	
	13	59	53.07	37	22	6	0.23	15 17 18 19 20	
	14	63	57.07	42	22	6	0.28	14 15 17 18 19 20	
	15	67	61.08	46	22	6	0.34	14 15 17 18 19 20	
	16	71	65.10	50	22	6	0.40	15 17 18 19 20	
	17	76	69.12	54	22	6	0.46	18 19 20	
	18	80	73.14	57	22	6	0.51	15 18 19 20	
	19	84	77.16	62	22	6	0.59	15 18 20	
	20	88	81.18	67	25	7	0.76	15 17 18 19 20	
	21	92	85.21	71	25	7	0.85	18 19 20 22 25 28 30	
	22	96	89.24	75	25	7	0.95	20 22 24 25	
	23	100	93.27	77	25	7	1.00	20 25	
	24	104	97.30	83	25	7	0.84	20 22 24 25	
	25	108	101.33	87	25	7	0.88	18 20 22 25	
	26	112	105.36	91	25	7	0.92	18 20 24 25 28 30	
	27	116	109.40	95	25	7	0.96	20 22 25 30	
	28	120	113.43	99	25	7	1.00	22 24 25 30	
	29	124	117.46	103	25	7	1.00	25	
	30	128	121.50	107	25	7	1.10	20 22 24 25 28 30	
	32	137	129.57	115	28	10	1.30	25 30	
	35	149	141.68	127	28	10	1.40	25 30	
	36	153	145.72	131	28	10	1.50	20 25 30	
	37	157	149.75	135	28	10	1.55	35	
	38	161	153.79	139	28	10	1.60	24 28	
	40	169	161.87	147	28	10	1.70	30	