

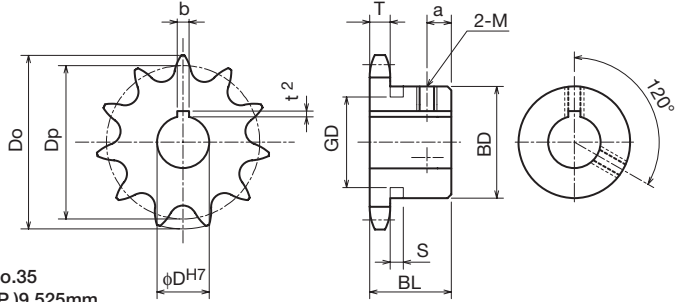
# FBK35B

## ● Order No. Example

### FBK35B 20 D20

Type      No. of Teeth       $\phi$ D H7

Sprocket No.



- Chain ..... No.35
- Chain Pitch ..... (P)9.525mm
- Bushing Link Inner Width ... (W)4.78 mm
- Bushing Outside Diameter ... (Dr)5.08 mm
- Tooth Width ..... (T)4.3 mm

Type	No. of Teeth	Outer Diameter Do	Pitch Diameter Dp	Boss Diameter BD	Boss Length BL	a	Weight kg
<b>FBK 35B</b>	10	34	30.82	★24.5	20	6	0.08
	11	38	33.81	★27	20	6	0.09
	12	41	36.80	★30.5	20	6	0.12
	13	44	39.80	★32	20	6	0.12
	14	47	42.81	32	20	6	0.12
	15	51	45.81	35	20	6	0.16
	16	54	48.82	37	20	6	0.19
	17	57	51.84	41	20	6	0.22
	18	60	54.85	44	20	6	0.25
	19	63	57.87	47	20	6	0.28
	20	66	60.89	50	20	6	0.32
	21	69	63.91	53	20	6	0.36
	22	72	66.93	56	20	6	0.37
	23	75	69.95	60	20	6	0.38
	24	78	72.97	53	22	8	0.43
	25	81	76.00	53	22	8	0.44
	26	84	79.02	53	22	8	0.45
	30	96	91.12	53	22	8	0.51
	32	102	97.18	53	22	8	0.54
	35	112	106.26	53	22	8	0.59
36	115	109.29	53	22	8	0.61	
40	127	121.40	63	25	10	0.85	