

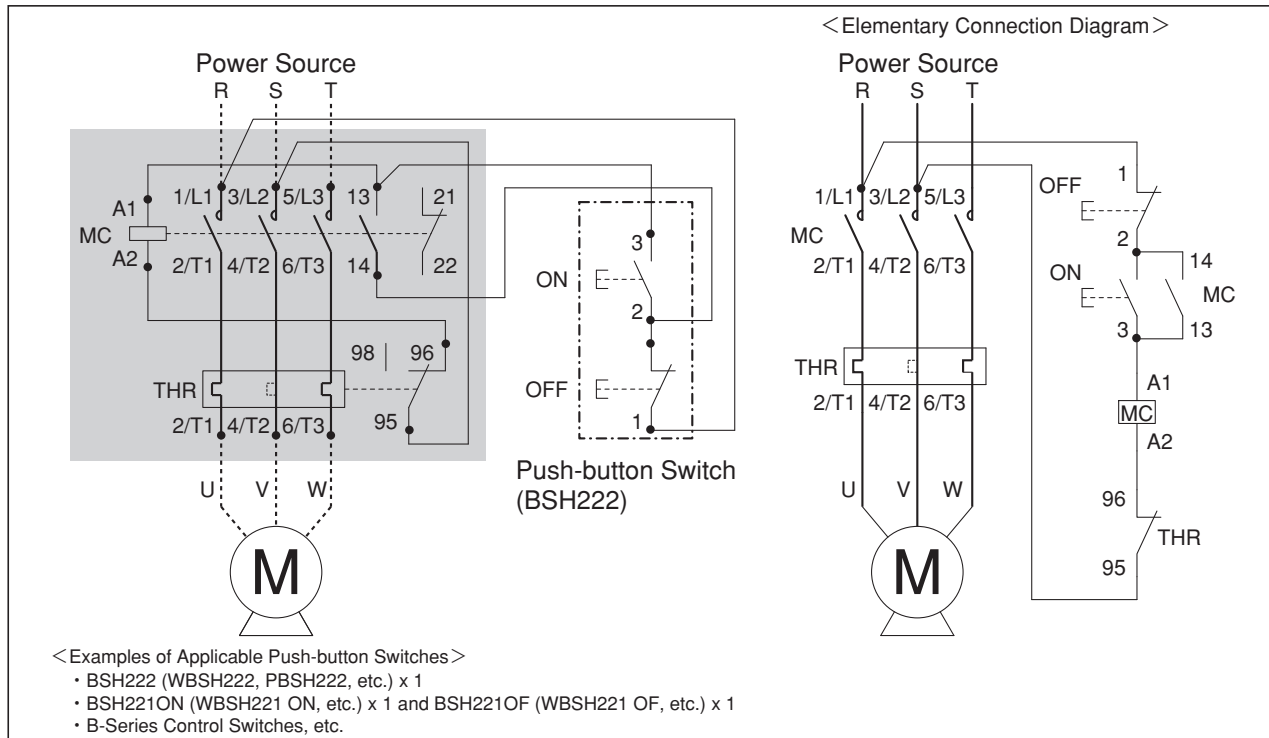
# Applications

## Variation of wiring for Electromagnetic Switches

### Variation of wiring for Electromagnetic Switches

#### (1) Manual motor control

These wiring diagrams show an example of a simple circuit where users can start the motor with the ON button and stop the motor with the OFF button.



#### (2) Manual motor control with independent power source

These wiring diagrams show an example of a circuit where the controlling circuit gains power from a different source (e.g. 200V for main circuit and 100V for controlling circuit). Users can start/stop the motor with the ON/OFF buttons. Use a coil-independent-type magnetic starter for this system.

