

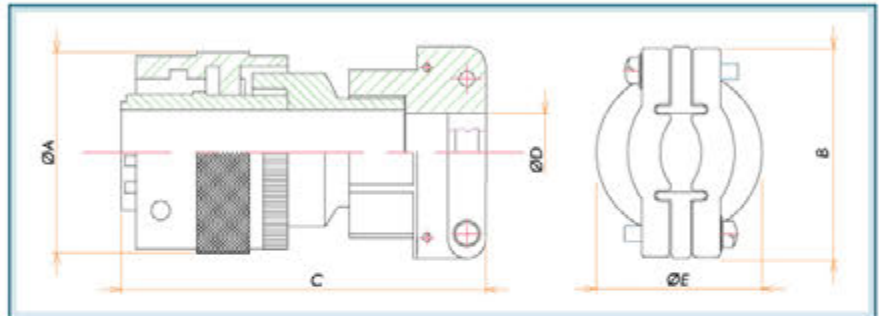
Dimensions in Inches (mm)

**Air Side Plugs**

**Accessories for the Multipin BURNDY Series (Standard / High Current)**



ASP22 (10009)



**Features**

Air side plugs are available that connect to Multipin series. Please select the most suitable products for your application.

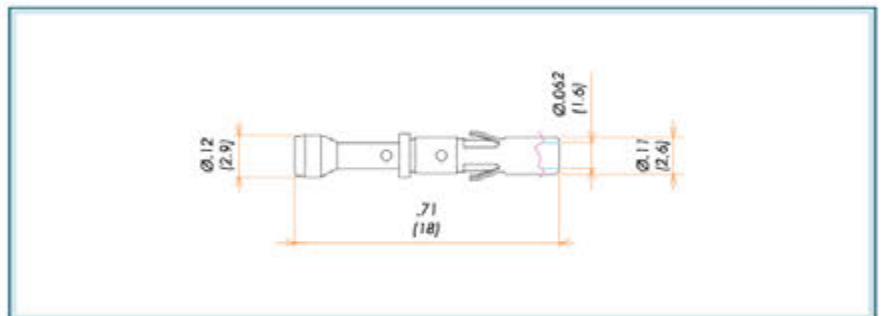
No. of Pins	Materials	Temperature Range:°C	A	B	C	D	E	REFERENCE	PART NUMBER
4	Shell : Aluminum Alloy Insulation : Glass Fiber Filled Polycarbonate (UL94V-1/Black)	-55 to 125	.84 (21.4)	.87 (22.2)	1.93 (49)	.31 (7.8)	.81 (20.7)	ASP4	10013
8			.97 (24.7)	1.06 (27)	2.01 (51)	.44 (11.2)	.97 (24.7)	ASP8	10016
12			1.09 (27.7)	1.16 (29.4)	2.05 (52)	.58 (14.7)	1.03 (26.2)	ASP12	10005
19			1.22 (31.1)	1.25 (31.8)	2.05 (52)	.65 (16.5)	1.12 (28.5)	ASP19	10007
22			1.34 (34.1)	1.47 (37.3)	2.05 (52)	.77 (19.6)	1.31 (33.3)	ASP22	10009
30			1.48 (37.5)	1.47 (37.3)	2.24 (57)	.77 (19.6)	1.31 (33.3)	ASP30	10011
48			1.73 (44)	1.69 (42.9)	2.32 (59)	.87 (22)	1.67 (42.3)	ASP48	10014

**Vacuum Side Socket Contacts**

**Accessories for the Multipin BURNDY Series (Standard / High Current)**



SVC16 (10147)



**Features**

Socket contacts are available that connect to pins by Crimping in vacuum side. Specifications depend on circumstances such as vacuum side, air side and temperature. Please select the most suitable products for your application.

Materials	Current: A max.	Temperature Range:°C	Accept Wire	REFERENCE	PART NUMBER
Copper-Alloy and Gold-Plated	13	-196 to 300	.03 MAX. (0.8)	SVC16	10147

- Introduction
- Table of Contents
- Glance
- Coaxial
- Multipin
- Thermocouple
- High Voltage & High Current
- Isolator
- Accessories
- Custom-made products
- Technical Data
- Part number & Reference Index
- Custom-made Application Sheet
- Trademarks