

Model MB-OX HIGH LOCK BASE

Hydraulic & fine adjuster

[Application]

While these bases are used as measuring tool holders like magnetic bases, they can also be used to hold sensors in place.

[Features]

- AA mechanical lock system that tightens joints in three places by one operation.
- The arm can be adjusted freely, which facilitates locating the mounted measuring instrument.
- Fine adjustment.



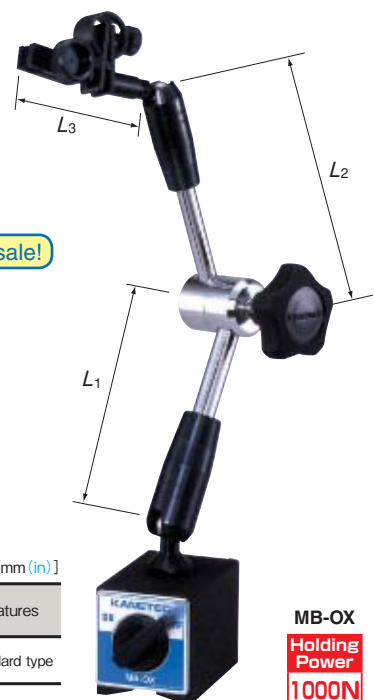
Dial gauge is optional

Optional upper fixture for sale!
(See page 58)

[mm (in)]

Model	Lock Mechanism	Holding Power	Magnetic Base			Arm			Tapped Hole	Indicator Clamp		Mass	Features
			Width	Length	Height	L ₁	L ₂	L ₃		Stem Hole	Dovetail		
MB-OX	Hydraulic Type	1000N (100kgf)	50 (1.96)	73 (2.87)	55 (2.16)	140 (5.51)	110 (4.33)	81 (3.18)	MB(0.31)×1.25(0.04)	φ8 (0.31)	6.5 (0.25)	2.0kg/ 4.4 lb	Standard type

※ The holding power applies to SS400, thickness 10 mm and ground surface.



MB-OX
Holding Power
1000N

Model GB-MX GRANITE BASE

Mechanical Lock Type • with fine adjustment device

For measurement on precise stone surface plate!
Highly reliable flexible arm is equipped!

Free style by dial adjustment



2 stage circular shaped bases, is easily handled by hands.



An example of mounting

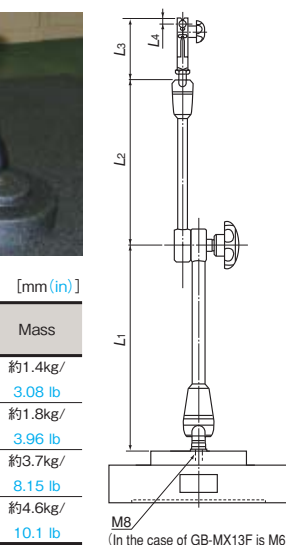


[Application]

Use for precise measurement on precise stone surface plate.

[Features]

- Granite, not affected by time passing and/or rust, is used for base part.
There is no change in precision and it is easy to maintain.
- The flatness of the base bottom is a high precision finish of less than 2μm.
Provides for smooth sliding on stone surface for side measurement of work.
- Base part is 2 stages circular shape for easy handling.
- Mechanical arm (from MB-MX-F) has excellent mechanical locking with proven reliability.
One knob tightening of all adjustable positions.
- With a dedicated storage box.



M8 (In the case of GB-MX13F is M6)

Model	Magnetic Base	Arm				Mass
		L ₁	L ₂	L ₃	L ₄	
GB-MX13F	□90 (3.54) × 45 (1.77)	75 (2.95)	50 (1.96)	64 (2.51)	6.5 (0.25)	約1.4kg/ 3.08 lb
GB-MX20F	φ 120 (4.72) × 50 (1.96)	116 (4.56)	75 (2.95)	65 (2.55)		約1.8kg/ 3.96 lb
GB-MX28F	φ 164 (6.45) × 55 (2.16)	160 (6.29)	115 (4.52)	64 (2.51)		約3.7kg/ 8.15 lb
GB-MX40F	φ 187 (7.36) × 55 (2.16)	220 (8.66)	175 (6.88)	66 (2.59)		約4.6kg/ 10.1 lb

ELECTROMAGNETIC CHUCKS
CHUCK CONTROLLERS
PERMANENT ELECTROMAGNETIC CHUCKS
PERMANENT ELECTROMAGNETIC CHUCKS
BLOCKS FOR MC
VACUUM CHUCKS
PROMELTA SYSTEM
SINE BAR CHUCKS
MAGNETIC BLOCKS
WORKING TOOLS
MEASURING TOOL HOLDERS
MAGNETIC HOLDERS
MAGNETIC TOOLS