

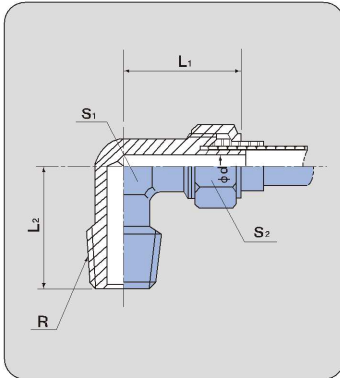
PL

エルボ

Male elbow

黄銅製

Brass



R (PT) ネジ別の色シール

R (PT) にはネジが一目で判別できるR (PT) ネジ毎の色シールがついています。

- R1/8 : 白 ●R1/4 : 青
- R3/8 : 黄 ●R1/2 : 灰

PAT.NO.1820889

Color Seals by R (PT) Screw

A color seal is attached to each R (PT) screw to enable the screws to be distinguished at a glance.

- R1/8 : white ●R1/4 : blue
- R3/8 : yellow ●R1/2 : gray

PAT.NO.1820889

ミリ系列/METRIC SERIES

部品番号 PART NO.	適用チューブ TUBE SIZE TO BE USED 外径×内径 O.D. (mm)×I.D. (mm)	R	φd (mm)	L ₁ (mm)	L ₂ (mm)	二面幅 TWO FACE WIDTH (mm)		重量 WEIGHT (g)	有効断面積 EFFECTIVE SECTIONAL AREA (mm ²)
						S ₁	S ₂		
PL- 4× 3 -PT1/8-BS	4× 3	1/8	2.0	19	18	7	10	15	2.5
PL- 6× 4.5-PT1/8-BS	6× 4.5	1/8	3.5	22	20	10	12	19	7.5
PL- 6× 4.5-PT1/4-BS	6× 4.5	1/4	3.5	22	23	10	12	27	7.5
PL- 8× 6 -PT1/8-BS	8× 6	1/8	5.0	22	21	12	14	24	12.5
PL- 8× 6 -PT1/4-BS	8× 6	1/4	5.0	22	23	12	14	29	16.0
PL- 8× 6 -PT3/8-BS	8× 6	3/8	5.0	25	25	14	14	50	18.0
PL-10× 7.5-PT1/8-BS	10× 7.5	1/8	6.5	26	25	14	17	40	17.0
PL-10× 7.5-PT1/4-BS	10× 7.5	1/4	6.5	26	25	14	17	42	24.0
PL-10× 7.5-PT3/8-BS	10× 7.5	3/8	6.5	26	25	14	17	48	27.0
PL-10× 7.5-PT1/2-BS	10× 7.5	1/2	6.5	26	31	17	17	74	36.0
PL-12× 9 -PT1/8-BS	12× 9	1/8	8.0	25	25	14	19	42	18.0
PL-12× 9 -PT1/4-BS	12× 9	1/4	8.0	26	23	14	19	48	36.0
PL-12× 9 -PT3/8-BS	12× 9	3/8	8.0	26	25	14	19	50	36.0
PL-12× 9 -PT1/2-BS	12× 9	1/2	8.0	28	31	17	19	75	36.0
PL- 4× 2.5-PT1/8-BS	4× 2.5	1/8	1.5	19	18	7	10	15	1.6
PL- 6× 4 -PT1/8-BS	6× 4	1/8	3.0	22	20	10	12	20	6.2
PL- 6× 4 -PT1/4-BS	6× 4	1/4	3.0	22	23	10	12	27	6.2
PL- 8× 5 -PT1/8-BS	8× 5	1/8	4.0	22	21	12	14	25	10.0
PL- 8× 5 -PT1/4-BS	8× 5	1/4	4.0	22	23	12	14	29	11.0
PL- 8× 5 -PT3/8-BS	8× 5	3/8	4.0	25	25	14	14	50	11.0
PL-10× 6.5-PT1/8-BS	10× 6.5	1/8	5.5	26	25	14	17	40	16.5
PL-10× 6.5-PT1/4-BS	10× 6.5	1/4	5.5	26	25	14	17	42	19.0
PL-10× 6.5-PT3/8-BS	10× 6.5	3/8	5.5	26	25	14	17	49	20.0
PL-10× 6.5-PT1/2-BS	10× 6.5	1/2	5.5	31	25	17	17	74	21.3
PL-12× 8 -PT1/8-BS	12× 8	1/8	7.0	25	25	14	19	44	17.0
PL-12× 8 -PT1/4-BS	12× 8	1/4	7.0	26	23	14	19	49	30.0
PL-12× 8 -PT3/8-BS	12× 8	3/8	7.0	26	25	14	19	53	30.0
PL-12× 8 -PT1/2-BS	12× 8	1/2	7.0	28	31	17	19	76	30.0
PL-16×12 -PT1/2-BS	16×12	1/2	11.0	31	31	17	22	82	81.0
PL-16×13 -PT1/2-BS	16×13	1/2	12.0	31	31	17	22	70	—

インチ系列/INCH SERIES

部品番号 PART NO.	適用チューブ TUBE SIZE TO BE USED 外径×内径 O.D. (mm)×I.D. (mm)	R	φd (mm)	L ₁ (mm)	L ₂ (mm)	二面幅 TWO FACE WIDTH (mm)		重量 WEIGHT (g)	有効断面積 EFFECTIVE SECTIONAL AREA (mm ²)
						S ₁	S ₂		
PL-1/ 8-PT1/8-BS	3.18×2.36	1/8	1.4	18.0	18	7	8	13	1.9
PL-1/ 8-PT1/4-BS	3.18×2.36	1/4	1.4	20.5	23	10	8	23	1.9
PL-3/16-PT1/8-BS	4.76×3.48	1/8	2.5	19.0	18	7	10	15	3.6
PL-3/16-PT1/4-BS	4.76×3.48	1/4	2.5	20.0	23	10	10	25	3.6
PL-1/ 4-PT1/8-BS	6.35×4.57	1/8	3.6	22.0	20	10	12	20	9.0
PL-1/ 4-PT1/4-BS	6.35×4.57	1/4	3.6	22.0	23	10	12	27	9.0
PL-1/ 4-PT3/8-BS	6.35×4.57	3/8	3.6	24.0	25	14	12	42	9.0
PL-5/16-PT1/8-BS	7.94×5.90	1/8	4.9	22.0	21	12	14	25	16.0
PL-5/16-PT1/4-BS	7.94×5.90	1/4	4.9	22.0	23	12	14	30	16.0
PL-3/ 8-PT1/8-BS	9.53×6.99	1/8	6.0	26.0	22	14	17	40	22.0
PL-3/ 8-PT1/4-BS	9.53×6.99	1/4	6.0	26.0	25	14	17	40	22.0
PL-3/ 8-PT3/8-BS	9.53×6.99	3/8	6.0	26.0	25	14	17	43	22.0
PL-3/ 8-PT1/2-BS	9.53×6.99	1/2	6.0	28.0	31	17	17	75	22.0
PL-1/ 2-PT1/4-BS	12.70×9.56	1/4	8.6	26.5	25	14	19	40	39.0
PL-1/ 2-PT3/8-BS	12.70×9.56	3/8	8.6	26.5	25	14	19	48	39.0
PL-1/ 2-PT1/2-BS	12.70×9.56	1/2	8.6	28.5	31	17	19	75	39.0