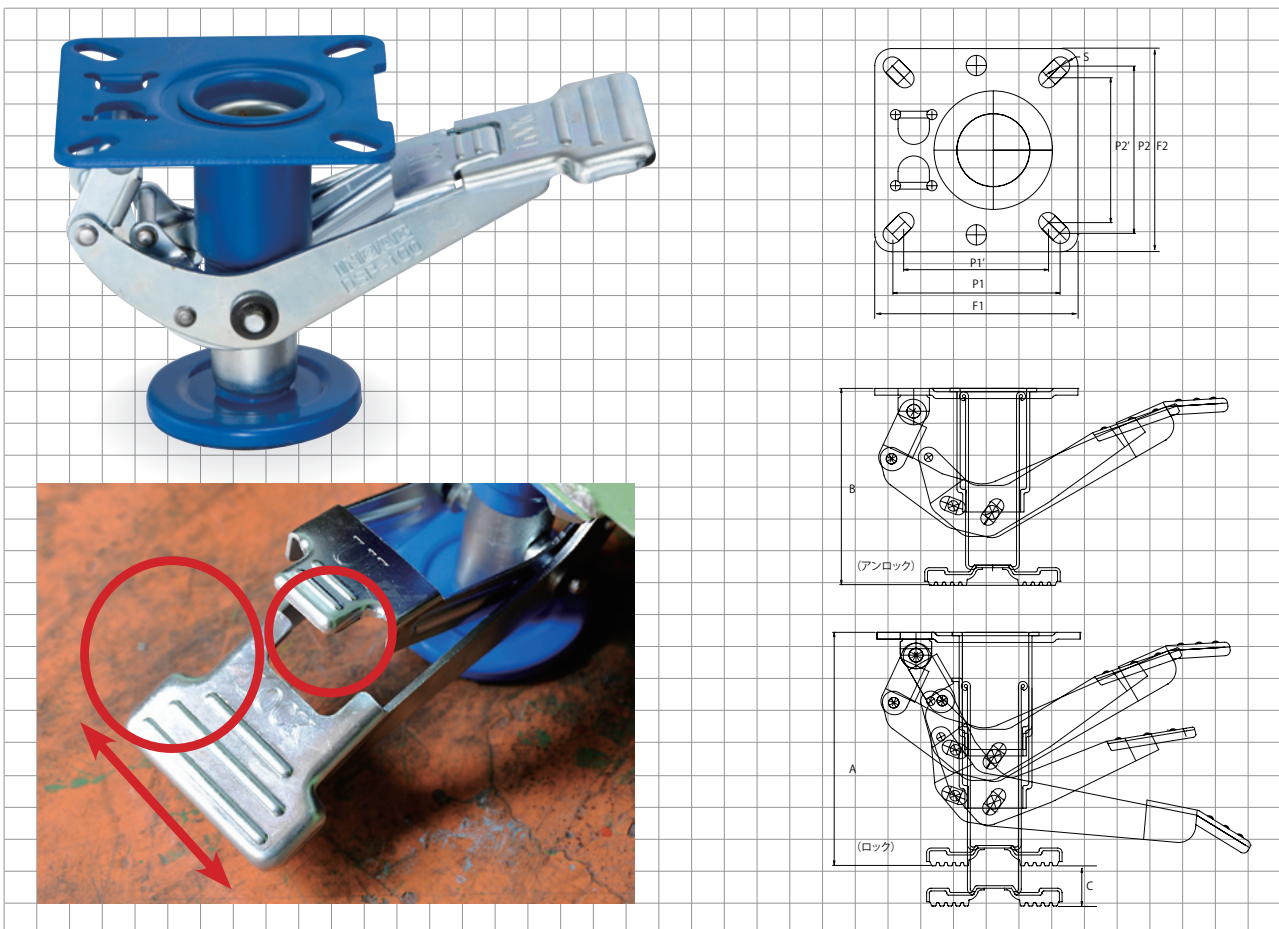


Stopper for Preventing Trolley Movement

DSP

The pedal position is easy to locate, so the stopper can be engaged and disengaged quickly and securely.



The pedal is large, so it is easy to step on; and the edges of the pedal are rounded, so there is less chance of injury.



Usage Instructions

- Be sure to install the trolley stopper between the rotation clasps.
- Do not push a trolley from the lateral side or drop objects onto a trolley while it is locked. This can result in damage.
- Engage the lock on a flat surface. Do not use on an inclined surface.
- Depending on the floor material, wax, etc., the wheel portion in direct contact may become discolored. Make sure that there is no problem prior to use.

Product Name	Installation surface height	Height		Stroke	Top plate	Hole pitch	Weight	Maximum load	
		(Lock)	(Unlock)					N	kg
		A	B						
DSP-100	142	150	125 (Without load)	25	120/120	100/100 (85/85)	1.4	1960	200
DSP-150	202	210	170 (Without load)	40	120/120	100/100 (85/85)	1.8	2940	300
DSP-200	242	250	200 (Without load)	50	120/120	100/100 (85/85)	2.0	3430	350