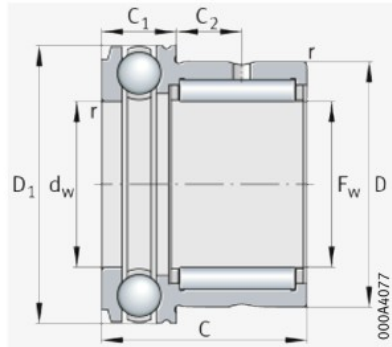


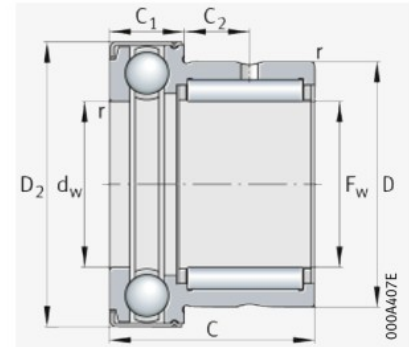


Needle roller/axial deep groove ball bearings

Without inner ring
With or without end cap



NKX



NKX..-Z

F_w = 10 – 70 mm

Main dimensions			Basic load ratings				Fatigue limit load		Limiting speed	Mass		Designation	
			radial		axial		C _{ur} N	C _{ua} N		n _G min ⁻¹	With- out end cap	With end cap	Without end cap
F _w	D	C	dyn. C _r N	stat. C _{0r} N	dyn. C _a N	stat. C _{0a} N					≈ g	≈ g	
10	19	23	7 000	7 800	10 000	14 000	1 310	670	12 400	34	36	NKX10-TV-XL	NKX10-Z-TV-XL
12	21	23	10 100	11 000	10 300	15 400	1 920	740	11 000	38	40	NKX12-XL	NKX12-Z-XL
15	24	23	12 100	12 700	10 500	16 800	2 320	810	9 500	44	47	NKX15-XL	NKX15-Z-XL
17	26	25	13 500	15 000	10 800	18 200	2 750	870	8 500	53	55	NKX17-XL	NKX17-Z-XL
20	30	30	18 600	23 800	14 200	24 700	4 150	1 190	7 500	83	90	NKX20-XL	NKX20-Z-XL
25	37	30	21 300	30 500	19 600	37 500	5 300	1 790	6 000	125	132	NKX25-XL	NKX25-Z-XL
30	42	30	25 500	36 000	20 400	42 000	6 300	2 030	5 000	141	148	NKX30-XL	NKX30-Z-XL
35	47	30	27 500	41 500	21 200	47 000	7 300	2 270	4 600	163	168	NKX35-XL	NKX35-Z-XL
40	52	32	29 500	47 000	27 000	63 000	8 300	3 000	4 000	200	208	NKX40-XL	NKX40-Z-XL
45	58	32	31 000	53 000	28 000	69 000	9 300	3 350	3 600	252	265	NKX45-XL	NKX45-Z-XL
50	62	35	43 000	74 000	29 000	75 000	12 700	3 650	3 300	280	300	NKX50-XL	NKX50-Z-XL
60	72	40	47 500	90 000	41 500	113 000	15 400	5 400	2 800	360	380	NKX60-XL	NKX60-Z-XL
70	85	40	50 000	92 000	43 000	127 000	15 700	6 100	2 400	500	520	NKX70-XL	NKX70-Z-XL

medias ► <https://www.schaeffler.de/std/1E40>