

# SIS-S

# STEEL IDLE SPROCKETS

**RHS** **SUS**

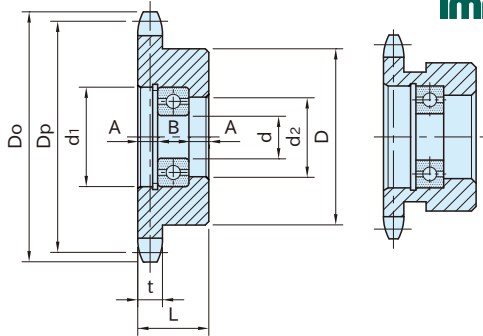
**IMAO**



**SIS-S**  
(Steel)



**SIS-S-SUS**  
(Stainless Steel)



**SIS-S** 219,419~812

**SIS-S-SUS** 219,419~812

**SIS-S** 313

**SIS-S-SUS** 313

Type	Sprocket	Bearing / Retaining Ring
<b>SIS-S</b>	Steel(S45C) Induction hardened(teeth top) Black oxide finish	Steel
<b>SIS-S-SUS</b>	Stainless steel(SUS304)	Stainless steel

Type / Size	Chain No.	No. of Teeth	Do	Dp	d	B	D	L	t	d <sub>1</sub>	d <sub>2</sub>	A	Weight (g)	
	<b>219</b>	25	19	41.5	38.58	10	6	30	16	2.9	22	18	5	35
	<b>313</b>	35	13	44	39.80								7	90
<b>SIS-S</b>	<b>419</b>	40	19	83	77.16	15	11	62	22	7.2	35	28	5.5	510
<b>SIS-S-SUS</b>	<b>516</b>	50	16	89	81.37								7	625
	<b>614</b>	60	14	95	85.61								10.5	850
	<b>812</b>	80	12	108	98.14								20	14

**SIS-S** (Steel)

Part Number	Bearing	Proper Idler Pin
<b>SIS219S</b>	6900ZZ	PID1006
<b>SIS313S</b>		
<b>SIS419S</b>	6202ZZ	PID1511
<b>SIS516S</b>		
<b>SIS614S</b>		
<b>SIS812S</b>	6204ZZ	PID2014

**SIS-S-SUS** (Stainless Steel)

Part Number	Bearing	Proper Idler Pin
<b>SIS219S-SUS</b>	SS6900-2RS	PID1006-SUS
<b>SIS313S-SUS</b>		
<b>SIS419S-SUS</b>	SS6202-2RS	PID1511-SUS PID1511-M16-SUS
<b>SIS516S-SUS</b>		
<b>SIS614S-SUS</b>		

## Features

The ball bearing is locked by a retaining ring.

## Notes

SIS219S Idle Sprocket is not induction hardened on the teeth top.

## Reference

· TENSIONER ASSEMBLY EXAMPLES

## Technical Information

Allowable Bearing Radial Loads(N)<for 3,000 hours of average service life>

Bearing	Speed (min <sup>-1</sup> )					
	100	200	300	500	1000	1500
<b>6900ZZ</b>	750	590	520	440	350	300
<b>SS6900-2RS</b>						
<b>6202ZZ</b>	2310	1830	1610	1350	1080	940
<b>SS6202-2RS</b>						
<b>6204ZZ</b>	3850	3060	2670	2250	1790	1560