



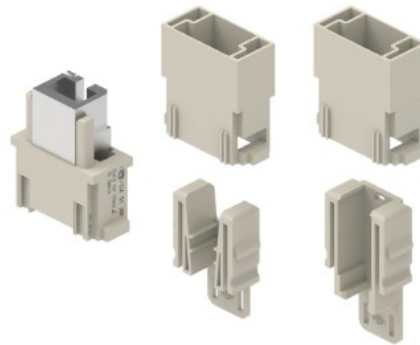
# for 1 RJ45 Cat. 6 Class E<sub>A</sub>

The modular inserts must be installed in suitable frames, which are then mounted in traditional enclosures or in COB panel supports.

frames for modular units page:  
316 - 317  
MIXO ONE enclosures 369

- characteristics according to EN 61984:  
**1A 50V 0,8kV 3**
- certified by UL (UL for USA and Canada),   and ENEC certified
- rated voltage according to UL/CSA: 50V
- insulation resistance: ≥ 10 GΩ
- made of self-extinguishing thermoplastic resin UL 94V-0
- mechanical life: ≥ 500 cycles
- contact resistance: ≤ 3 mΩ
- temperature range: from -40 °C to +85 °C
- we recommend to fix the cable with cable tie
- for contact crimping instructions, please see the crimping tool section on page 736 and 737

module adapters for RJ45 male connector, female insert with RJ45 female-female coupler



RJ45 male connectors, crimp and IDC termination

 Watch our CX 8 J6M online tutorial



 Watch our CX 8 J6IM online tutorial

description	part No.	part No.
- female insert with 1 RJ45 female-female coupler	<b>CX 01 J8F</b>	
- male insert for 1 RJ45 male crimp connector, (without RJ45 connector, to be ordered separately) or connecting cables	<b>CX 01 J8M</b>	
- male insert for 1 RJ45 male IDC connector, 8 data contacts (without RJ45 connector, to be ordered separately) <sup>1)</sup>	<b>CX 01 J8IM</b>	
RJ45 male crimp connector, 8 data contacts		<b>CX 8 J6M</b>
RJ45 male IDC connector, 8 data contacts		<b>CX 8 J6IM</b>

- CX 01 J8F technical data:**
- RJ45 female connector Cat. 6 Class E<sub>A</sub>
  - shielding housing: zinc diecast
  - housing finish: nickel-plated
  - current carrying capacity at 50 °C: 1A
  - adequate for Power over Ethernet: PoE according to IEEE 802.3af
  - connectors: IEC 60603-7-5
  - adequate for 10 Gigabit Ethernet: 10 Gigabit Ethernet acc. to IEEE 802.3an
  - custom-designed cabling systems: PROFINET Installation Guideline
  - generic cabling systems: ANSI/TIA/EIA-568-C.2 ISO/IEC 11801 EN 50173-1 ISO/IEC 24702 EN 61918
  - Class E<sub>A</sub> (channel): ISO/IEC 11801, EN 50173-1

- CX 8 J6M technical data:**
- RJ45 male crimp connectors Cat. 6<sub>A</sub>
  - crimp pliers: **CJPZ T**
  - screened cable stripper: **CJST**
  - current carrying capacity at 50 °C: 1A
  - Cu-conductor diameter solid: 0,40 - 0,51 mm (AWG 26/1 - 24/1) stranded: 0,46 - 0,61 mm (AWG 27/7 - 24/7)
  - insulation diameter: 0,85 - 1,05 mm
  - cable diameter: 5,0 - 6,6 mm
  - connectors: IEC 60603-7-51
  - 10 Gigabit Ethernet acc. to IEEE 802.3an: adequate for 10 Gigabit Ethernet
  - category 6<sub>A</sub>: ISO/IEC 11801; EN 50173-1
  - Class E<sub>A</sub>: ISO/IEC 11801; EN 50173-1
  - Category 6<sub>A</sub>: ANSI/TIA/EIA-568-C.2

- CX 8 J6IM technical data:**
- RJ45 male IDC connectors Cat. 6 Class E<sub>A</sub>
  - Cu-conductor diameter solid: 0,41 - 0,64 mm (AWG 26/1 - 22/1) stranded: 0,48 - 0,76 mm (AWG 26/7 - 22/7)
  - insulation diameter: 0,85 - 1,6 mm
  - current carrying capacity at 50 °C: 1A
  - cable diameter: 5,5 - 7,3 mm
  - connectors: IEC 60603-7-5
  - category 6<sub>A</sub>: ISO/IEC 11801; DIN EN 50173-1
  - wrenches pliers for CX 8 J6IM: **CJPW K**
  - 10 Gigabit Ethernet acc. to IEEE 802.3an: adequate for 10 Gigabit Ethernet
  - Class E<sub>A</sub>: ISO/IEC 11801; EN 50173-1
  - Category 6: ANSI/TIA/EIA-568-C.2
  - custom-designed cabling systems: according to PROFINET Installation Guideline

**WARNING:** inserts can be used on high enclosures or bulkhead housings only.

<sup>1)</sup> CX 01 J8IM: to be used with high enclosures (T-TYPE hood M32 / M40 only and CZAV/MZAV top entry hood only), bulkhead housings or COB ... BC/TCQ/TSF/ TSFS only.

