

Flat Spray Nozzles

SAP series



Material: S304

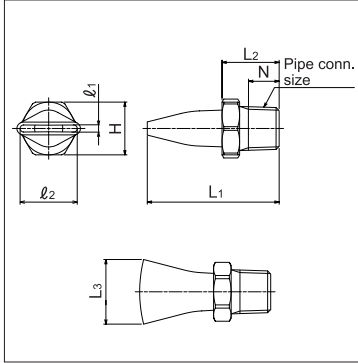
For blowers

Stainless Steel

FEATURES

- Compact enough to install in a narrow space. 1/8M size is 29 mm long.
- Pressure loss is minimal to enable high spray impact performance.
- Compared to conventional, general-purpose air nozzles, SAP provides larger spray coverage.

■ Drawing



■ Dimensions and mass

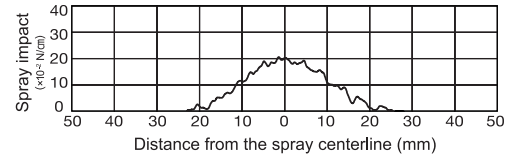
Pipe conn. size	Outer dimensions (mm)							Mass (g)
	L ₁	L ₂	L ₃	ℓ ₁	ℓ ₂	H	N	
1/8M	29	13	14.7	1.5	13	12	7	10
1/4M	37	17.5	18.9	1.5	17	14	10.5	16

Pipe conn. size	Air consumption (ℓ/min, Normal)				
	10 kPa	20 kPa	30 kPa	40 kPa	50 kPa
1/8M	120	170	208	239	266
1/4M	167	235	287	330	368

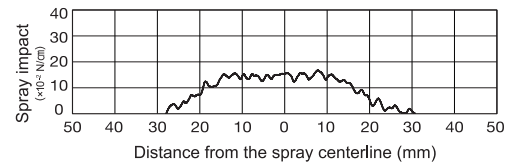
Note: Compressor air can be used.
(The above chart shows blower air consumption)

■ Spray impact distribution

[1/8MSAP13-15S304] at air pressure 20 kPa, air consumption 170 ℓ/min (Normal), spray height 100 mm



[1/4MSAP17-15S304] at air pressure 20 kPa, air consumption 235 ℓ/min (Normal), spray height 100 mm



How to order

Please inquire or order for a specific nozzle using this coding system.

① Pipe connection size: 1/8M

1/8M SAP 13-15 S304

② Pipe connection size: 1/4M

1/4M SAP 17-15 S304

Solid Stream Jet

CCP-A series



Material: S303

For compressors

Stainless Steel

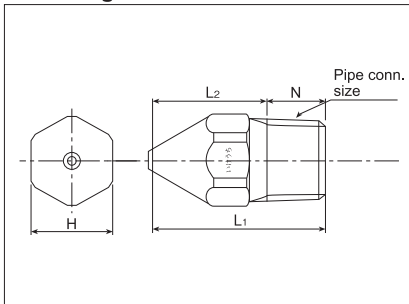
FEATURES

- Spraying air in a solid stream through a single orifice yields strong propagation for highly effective air blowing.
- Product lineup orifice diameters range from φ1.0 to φ2.5 mm.
- Good cost performance ideal for use in large quantities.

Round Type



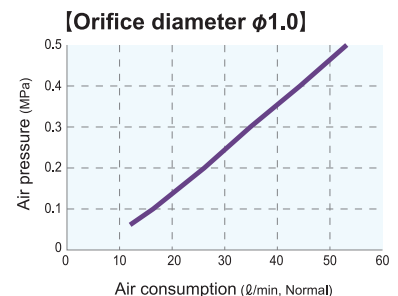
■ Drawing



■ Dimensions and mass

Pipe conn. size	Outer dimensions (mm)				Mass (g)
	L ₁	L ₂	H	N	
1/8M	21	14	10	7	7.2
1/4M	30	19.5	14	10.5	19

Orifice diameter code	Pipe conn. size	Air consumption (ℓ/min, Normal)					Orifice diameter (mm)
		0.1 MPa	0.2 MPa	0.3 MPa	0.4 MPa	0.5 MPa	
φ1.0A		17	26	35	44	53	1.0
φ1.5A	1/8M	40	60	80	100	120	1.5
φ2.0A	1/4M	70	104	138	172	206	2.0
φ2.5A		109	162	215	268	321	2.5



How to order

Please inquire or order for a specific nozzle using this coding system.

<Example> 1/8M CCP φ1.0A S303

1/8M CCP φ1.0A S303

Pipe conn. size
 ■ 1/8M
 ■ 1/4M

Orifice diameter code
 ■ φ1.0A ■ φ2.0A
 ■ φ1.5A ■ φ2.5A