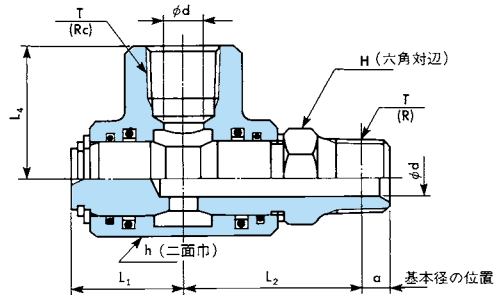
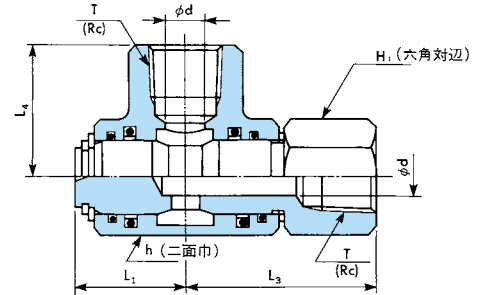


IHARA スイベルジョイント：SJH形

SJH5 ≡ ≡ -4 ≡ ≡



SJH5 ≡ ≡ -5 ≡ ≡

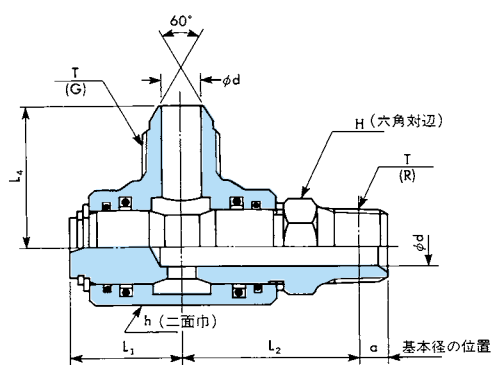


単位Unit : mm

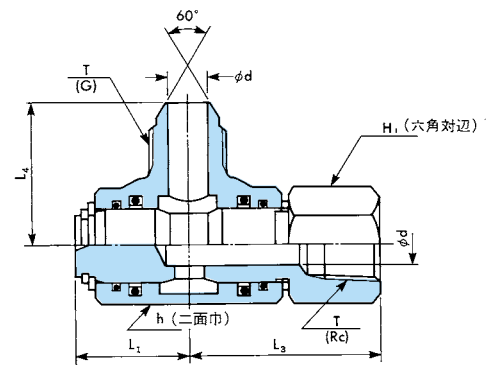
呼 び 方

Fメス×オスM	Fメス×メスF	T	d	L ₁	L ₂	L ₃	L ₄	a	h	H ₁	H ₂
SJH502-402	SJH502-502	1/4	6	25.5	38.5	42.5	30	6.01	27	19	19
SJH503-403	SJH503-503	3/8	8.5	25.5	39.1	42.5	30	6.35	27	19	24
SJH504-404	SJH504-504	1/2	12	27.5	44.3	49.5	36	8.16	32	24	30
SJH506-406	SJH506-506	3/4	17	33.5	52	56.5	42	9.53	41	30	36
SJH508-408	SJH508-508	1	22	36	58.6	67	46	10.39	46	36	41
SJH510-410	SJH510-510	1 1/4	31	41	65.3	75	59	12.7	71	46	55
SJH512-412	SJH512-512	1 1/2	36	45	70.3	78	63	12.7	85	50	65

SJH6 ≡ ≡ -4 ≡ ≡



SJH6 ≡ ≡ -5 ≡ ≡



単位Unit : mm

呼 び 方

Mオス×オスM	Mオス×メスF	T	d	L ₁	L ₂	L ₃	L ₄	a	h	H ₁	H ₂
SJH602-402	SJH602-502	1/4	6	25.5	38.5	42.5	31	6.01	27	19	19
SJH603-403	SJH603-503	3/8	8.5	25.5	39.1	42.5	33	6.35	27	19	24
SJH604-404	SJH604-504	1/2	12	27.5	44.3	49.5	38	8.16	32	24	30
SJH606-406	SJH606-506	3/4	17	33.5	52	56.5	44	9.53	41	30	36
SJH608-408	SJH608-508	1	22	36	58.6	67	54	10.39	46	36	41
SJH610-410	SJH610-510	1 1/4	31	41	65.3	75	63	12.7	71	46	55
SJH612-412	SJH612-512	1 1/2	36	45	70.3	78	70	12.7	85	50	65