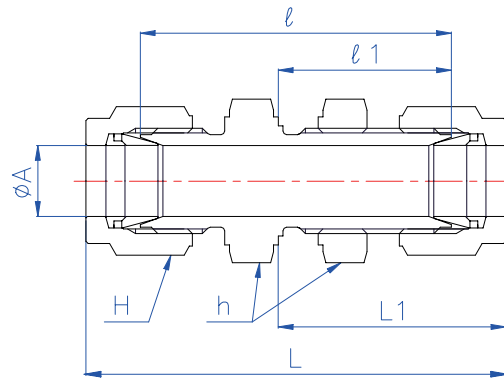
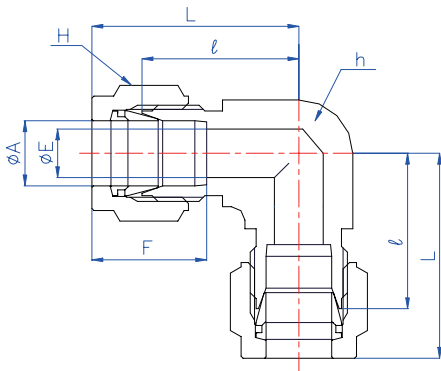


BI-LoK	MDSUZ	Bulkhead Union / Bored through Connects metric tubes
---------------	--------------	--



Part No.	A	h	H	l	l ₁	L	L ₁	Panel	
	mm	HEX	HEX	mm	mm	mm	mm	Hole	Thick
MDSUZ 3M	3	14	12	39.6	24.4	53.0	32.1	8.3	12.7
MDSUZ 4M	4	14	13	42.1	25.5	55.7	32.3	9.9	10.4
MDSUZ 6M	6	17	14	43.9	26.0	58.9	33.5	11.5	9.7
MDSUZ 8M	8	19	17	47.2	28.5	62.2	36.0	13.1	11.4
MDSUZ 10M	10	22	19	49.5	29.5	65.1	37.3	16.3	11.6
MDSUZ 12M	12	24	22	52.4	32.0	72.8	42.2	19.4	13.1
MDSUZ 15M	15	27	27	54.1	32.5	74.1	42.5	22.6	12.0
MDSUZ 16M	16	27	27	54.1	32.5	74.5	42.7	22.6	12.0
MDSUZ 18M	18	30	30	56.5	32.5	76.9	42.7	25.8	16.7
MDSUZ 20M	20	32	30	60.7	37.3	81.1	47.5	27.0	16.7
MDSUZ 22M	22	36	32	67.2	37.3	87.6	47.5	29.0	16.7
MDSUZ 25M	25	41	41	73.4	45.2	98.4	57.7	33.7	20.0

BI-LoK	MDLA	Union Elbow Connects metric tubes
---------------	-------------	---



Part No.	A	E	h	H	l	L	F
	mm	mm	Flat	HEX	mm	mm	mm
MDLA 3M	3	2.4	12	12	16.8	23.5	13.0
MDLA 4M	4	2.7	12	13	19.0	25.8	13.9
MDLA 6M	6	4.8	12	14	22.2	29.7	15.4
MDLA 6M E	6	4.8	12	14	19.6	27.1	15.4
MDLA 8M	8	6.4	14	17	22.5	30.0	16.3
MDLA 8M E	8	6.4	14	17	21.3	28.8	16.3
MDLA 10M	10	7.9	17	19	24.0	31.8	17.3
MDLA 12M	12	9.5	22	22	27.0	37.2	22.9
MDLA 15M	15	12.0	24	27	28.0	38.0	24.3
MDLA 16M	16	12.7	24	27	28.0	38.2	24.5
MDLA 18M	18	15.1	27	30	28.2	38.4	24.5
MDLA 20M	20	16.5	30	30	32.5	42.7	24.5
MDLA 22M	22	18.3	30	32	32.5	42.7	26.1
MDLA 25M	25	22.5	36	41	36.0	48.5	31.6

[Note] E : European Standard