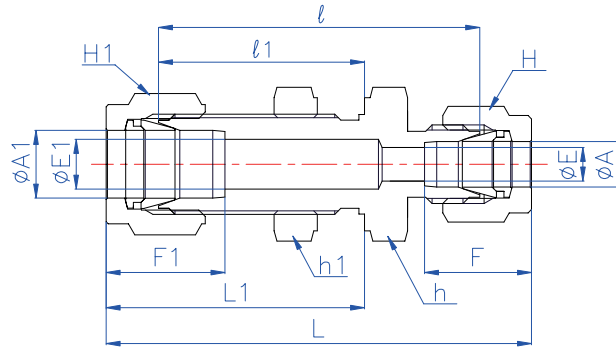


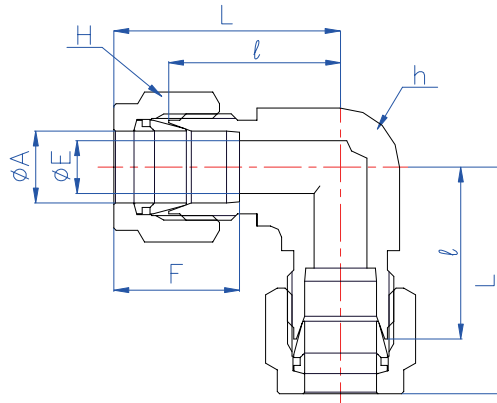
BI-LoK	DSUR	Bulkhead Reducing Union Connects fractional tube to metric tube
---------------	-------------	---



H, H₁ : See dimensional data (Last page)

Part No.	A (Tube O. D)		A ₁	E	E ₁	h (HEX)		ℓ	ℓ ₁	L	L ₁	F	F ₁	Panel	
	in	mm	mm	mm	mm	in	mm	mm	mm	mm	mm	mm	mm	Hole	Thick
DSUR 4-8M	1/4	6.35	8	4.8	6.4	3/4	19.05	45.6	28.5	60.6	36.0	15.4	16.3	13.1	11.4

BI-LoK	DLA	Union Elbow Connects fractional tubes
---------------	------------	---



H : See dimensional data (Last page)

Part No.	A (Tube O. D)		E	h (Flat)		ℓ	L	F
	in	mm	mm	in	mm	mm	mm	mm
DLA 1	1/16	1.59	1.3	3/8	9.5	14.2	18.2	8.9
DLA 2	1/8	3.18	2.3	3/8	9.5	15.8	22.5	13.0
DLA 3	3/16	4.76	3.0	1/2	12.7	19.0	25.7	13.8
DLA 4	1/4	6.35	4.8	1/2	12.7	20.0	27.5	15.4
DLA 5	5/16	7.94	6.4	5/8	15.9	22.4	29.9	16.3
DLA 6	3/8	9.53	7.1	5/8	15.9	23.0	30.5	17.0
DLA 8	1/2	12.7	10.4	13/16	20.6	25.0	35.3	23.0
DLA 10	5/8	15.88	12.7	15/16	23.8	27.0	37.3	24.6
DLA 12	3/4	19.05	15.8	1-1/16	27.0	28.2	38.5	24.6
DLA 14	7/8	22.23	18.3	1-1/4	31.8	32.5	42.7	26.1
DLA 16	1	25.4	22.5	1-5/16	33.3	33.3	45.9	31.6