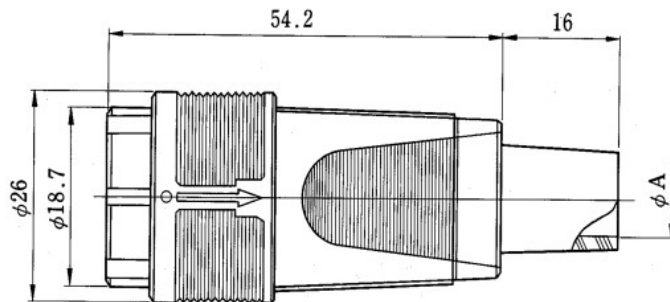


Plug

(Crimp type)



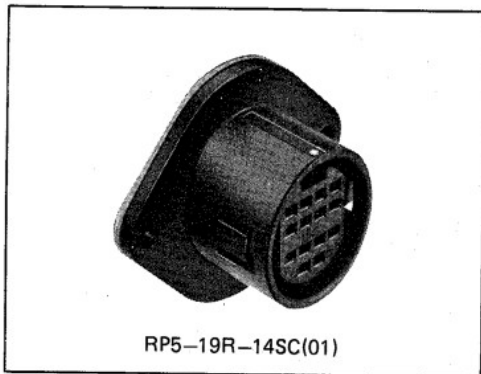
RP5-19P-14PC (03)



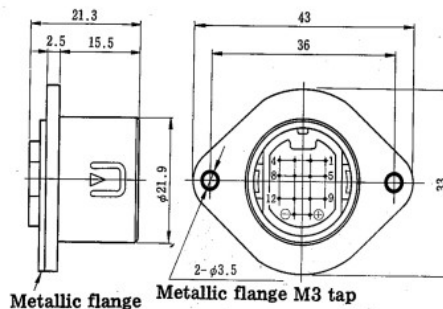
Part No.	mm (inch)
RP5-19P-14PC(03)	9.2 (0.362)
RP5-19P-14PC(05)	6.8 (0.268)
RP5-19PA-14PC(01)	6.0 (0.236)
RP5-19PB-14PC	5.7 (0.224)

Receptacle

(Crimp type)



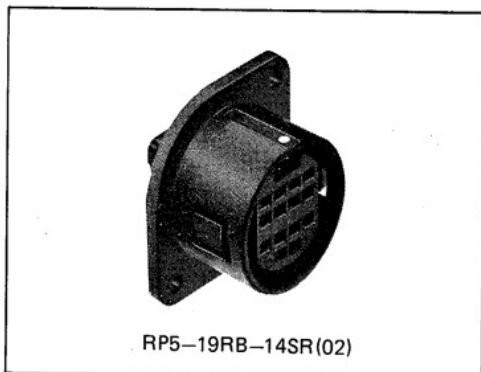
RP5-19R-14SC(01)



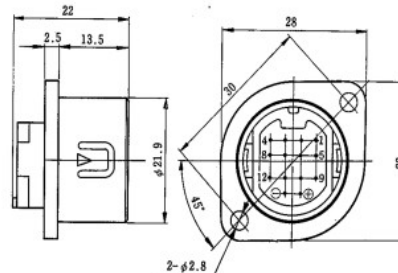
Part No.	Remarks
RP5-19RA-14SC(01)	
RP5-19R-14SC(01)	Without metallic flange

Remarks: Refer to page 179 for mounting hole size.

(Crimp type)



RP5-19RB-14SR(02)



Part No.
RP5-19RB-14SR(02)

Remarks: Refer to page 179 for mounting hole size.