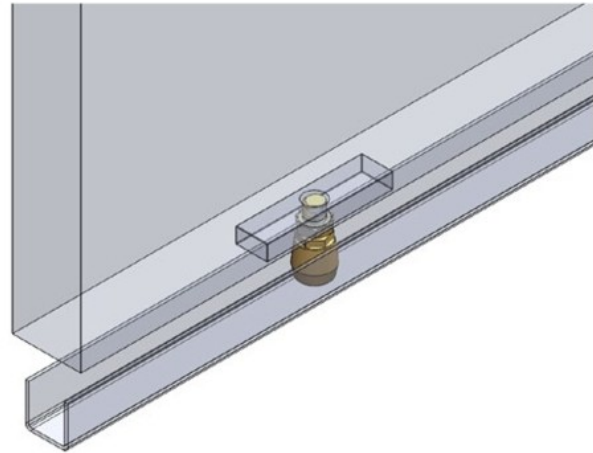
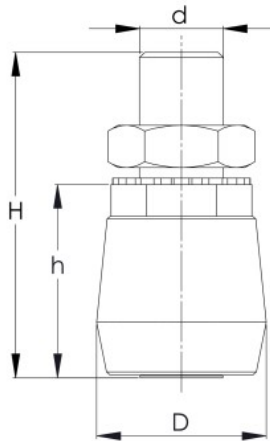


Guide with roller and screw

Type .N49/.M49



Guide roller with steel bolt for screw fixing. Nylon brass roller. For example for mounting look at page 96.

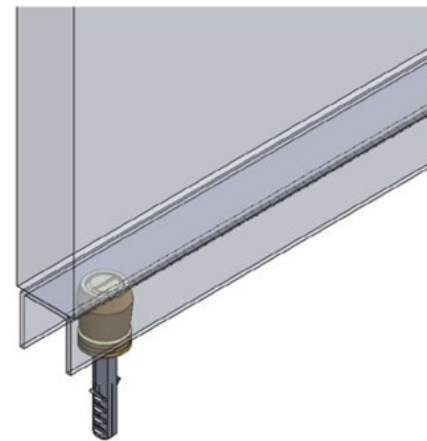
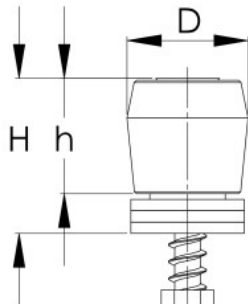


NIKO Profile No.	33.000	34.000	35.000
NYLON	33.N49	34.N49	35.N49
BRASS	33.M49	34.M49	35.M49
Dimension H (mm)	46	56	80
Dimension D (mm)	19	32	50
Dimension h (mm)	26	36	50
Dimension d (mm)	M10	M12	M20

Guide with roller and fixing plug

Type .N58/.M58

Guide roller with screw and nylon plug. Nylon or brass roller. For example for mounting look at page 96.



NIKO Profile No.	32.000	33.000	34.000	35.000
NYLON	32.N58	33.N58	34.N58	35.N58
BRASS	32.M58	33.M58	34.M58	35.M58
Dimension H (mm)	18	26	40	53
Dimension D (mm)	12	19	32	50
Dimension h (mm)	12	19	30	42