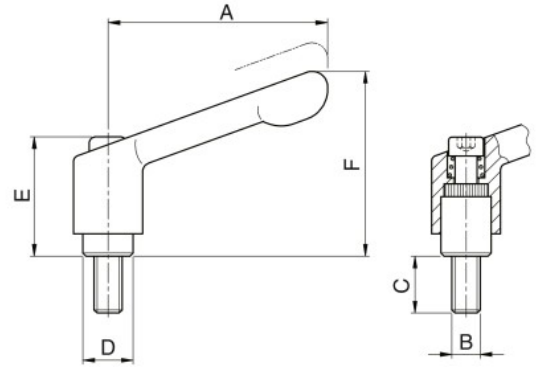


可調式把手 Adjustable Hand Levers

4040



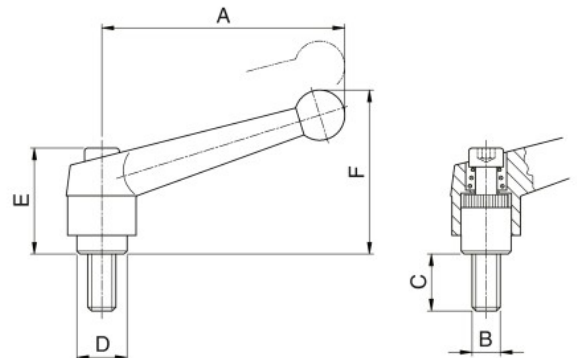
名稱 Name	材質 Material	表面處理 Surfaced process
把手 Handle	鋅壓鑄 Zinc die casting (ZD)	黑色烤漆 Painted black (BK) 橘色烤漆 Painted orange (OR) 銀色烤漆 Painted silver (SR)
軸 Spindle	鐵 Steel (ST)	染黑 Dyed black (DB)

(mm)

Order No. 鋅壓鑄 (ZD)	A	B	C								D	E	F		
4040 - A - B - C - 顏色 (Color) 表面顏色 Surfaced color 螺紋長度 Thread length 外螺紋 External thread 手柄長度 Handle length	45	M5	10	15	20	25	30	-	-	-	-	-	10	25	35
	45	M6	10	-	20	-	30	40	50	-	-	-	10	25	35
	45	M8	10	-	20	-	30	40	50	-	-	-	10	25	35
	63	M8	10	-	20	-	30	40	50	-	-	-	13.5	31	45
	63	M10	10	-	20	-	30	40	50	-	-	-	13.5	31	45
	78	M8	10	-	20	-	30	40	50	-	-	-	16	36	55
	78	M10	10	-	20	-	30	40	50	-	-	-	16	36	55
	78	M12	10	-	20	-	30	40	50	-	-	-	16	36	55
	92	M10	-	-	20	-	30	40	50	60	-	-	19	43	65
	92	M12	-	-	20	-	30	40	50	60	-	-	19	43	65
	108	M12	-	-	-	-	30	40	50	60	70	-	23	50	76
	108	M16	-	-	-	-	-	40	50	60	70	80	23	50	76

可調式把手 Adjustable Hand Levers

4041



名稱 Name	材質 Material	表面處理 Surfaced process
把手 Handle	精密(脫臘)鐵 Precision steel (ST)	黑色烤漆 Painted black (BK) 橘色烤漆 Painted orange (OR) 銀色烤漆 Painted silver (SR)
軸 Spindle	鐵 Steel (ST)	染黑 Dyed black (DB)

(mm)

Order No. 精密(脫臘)鐵 (ST)	A	B	C								D	E	F
4041 - A - B - C - 顏色 (Color) 表面顏色 Surfaced color 螺紋長度 Thread length 外螺紋 External thread 手柄長度 Handle length	63	M8	10	20	30	-	-	-	13.5	31	45		
	63	M10	10	20	30	40	50	-	13.5	31	45		
	78	M8	10	20	30	40	50	-	16	36	55		
	78	M10	10	20	30	40	50	-	16	36	55		
	78	M12	10	20	30	40	50	-	16	36	55		
	92	M10	-	20	30	40	50	60	19	43	65		
	92	M12	-	20	30	40	50	60	19	43	65		