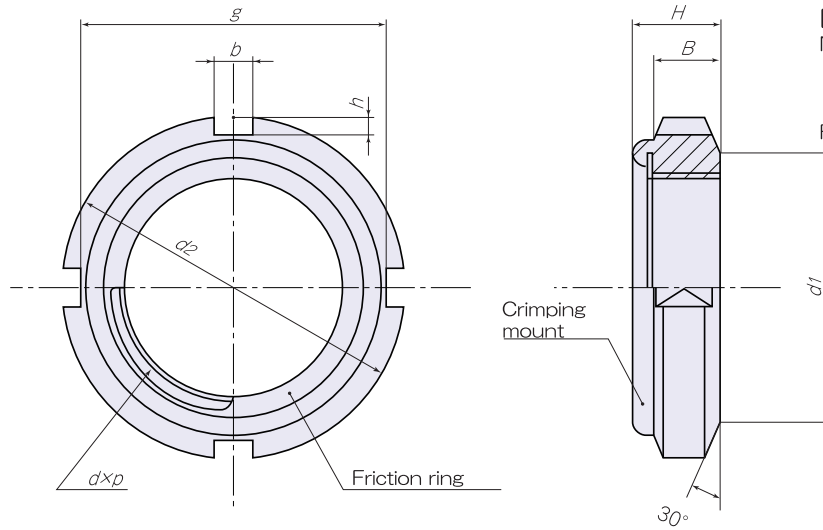


FINE U-NUT Dimension Table



Materials (standard items)
 Nut body ... S45C-H
 or equivalent
 SS 400 or equivalent
 SUS304 or equivalent
 Friction ring SUS301

Thread accuracy: ISO6H Unit: mm

Part No.			Designation of Thread <i>d x p</i>	d_1		d_2		H		B		b		h		g		Perpendicularity of Bearing Surface (max.)	Unit Weight [g]
SC Series (Material S45C-H)	SS Series (Material SS400)	SUS Series (Material SUS304)																	
-	FUNM8SS	-	M 8x0.75	12		16		5.3		4.3	3		1.5	13				4.1	
FUN00SC	FUN00SS	FUN00SUS	M10x0.75	13.5		18		5.2	±0.3	4	3		1.8	14.4				4.5	
FUN01SC	FUN01SS	FUN01SUS	M12x1	17		22		5.4		4	3		1.8	18.4				8	
FUN02SC	FUN02SS	FUN02SUS	M15x1	21		25		6.5		5	4		1.8	21.4				12	
FUN03SC	FUN03SS	FUN03SUS	M17x1	24		28		6.4	±0.5	5	4		1.9	24.2				13	
FUN04SC	FUN04SS	FUN04SUS	M20x1	26		32		7.7		6	4		1.8	28.4			0.05	23	
FUN05SC	FUN05SS	FUN05SUS	M25x1.5	32		38		9.1		7	5		2	34				36	
FUN06SC	FUN06SS	FUN06SUS	M30x1.5	38		45		9.1		7	5		2	41				45	
FUN07SC	FUN07SS	FUN07SUS	M35x1.5	44	0	52		10.2	±0.8	8	5	±0.2	2	48				70	
FUN08SC	FUN08SS	FUN08SUS	M40x1.5	50	-0.5	58		11.2		9	6		2.5	53				95	
FUN09SC	FUN09SS	FUN09SUS	M45x1.5	56		65		12.5		10	6		2.5	60				130	
FUN10SC	FUN10SS	FUN10SUS	M50x1.5	61		70		13.5	±1.0	11	6		2.5	65				160	
FUN11SC	FUN11SS	FUN11SUS	M55x2	67		75		13.5		11	7		3	69				185	
FUN12SC	FUN12SS	FUN12SUS	M60x2	73		80		13.5		11	7		3	74				190	
FUN13SC	FUN13SS	FUN13SUS	M65x2	79		85		15		12	7		3	79				235	
FUN14SC	FUN14SS	FUN14SUS	M70x2	85		92	0	15		12	8		3.5	85	0			265	
FUN15SC	FUN15SS	FUN15SUS	M75x2	90		98	-0.5	15.8		13	8		3.5	91	-0.5			320	
FUN16SC	FUN16SS	FUN16SUS	M80x2	95		105		18.6		15	8		3.5	98				430	
FUN17SC	FUN17SS	FUN17SUS	M85x2	102		110		19.2		16	8		3.5	103			0.07	495	
FUN18SC	FUN18SS	FUN18SUS	M90x2	108		120		20.3		16	10		4	112				630	
FUN19SC	FUN19SS	FUN19SUS	M95x2	113		125		21.3	±1.5	17	10		4	117				725	
FUN20SC	FUN20SS	FUN20SUS	M100x2	120		130		22.3		18	10		4	122				770	
FUN21SC	-	-	M105x2	126		140		22.3		18	12		5	130				904	
FUN22SC	-	-	M110x2	133		145		23.3		19	12		5	135				954	
FUN23SC	-	-	M115x2	137	0	150		23.3		19	12	±0.3	5	140				1030	
FUN24SC	-	-	M120x2	138	-0.75	155		24.3		20	12		5	145				1080	
FUN25SC	-	-	M125x2	148		160		25.4		21	12		5	150				1170	
FUN26SC	-	-	M130x2	149		165		25.4		21	12		5	155				1250	
FUN27SC	-	-	M135x2	160		175		26.6		22	14		6	163			0.10	1586	
FUN28SC	-	-	M140x2	160		180		26.6	±2.0	22	14		6	168				1748	
FUN29SC	-	-	M145x2	171		190		28.6		24	14		6	178				2000	
FUN30SC	-	-	M150x2	171		195		28.3		24	14		6	183				2050	

(Specify Part No. when placing an order.)
 ※Consult us if left handed screw is needed.

※ Consult us if surface treatment is needed.
 ※ Materials include equivalent of each materials.
 ※ Dimensions may change for improvement.