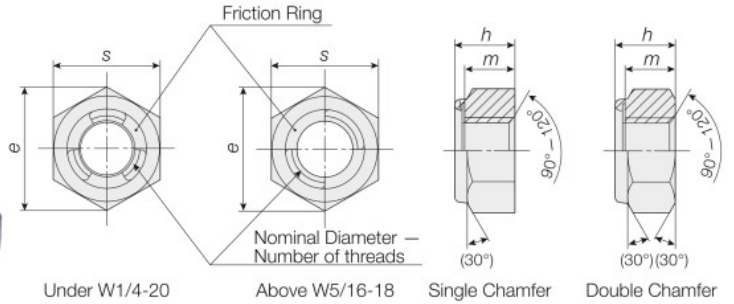


# Whitworth Thread Type U-NUT

## Features

- Whitworth's standard specifies a 55° thread angle. It is widely used for waterworks and construction.
- The British Standard Whitworth thread was the world's first national screw thread standard.



●: Available

Thread Accuracy: formerly JIS Class2 Unit: mm

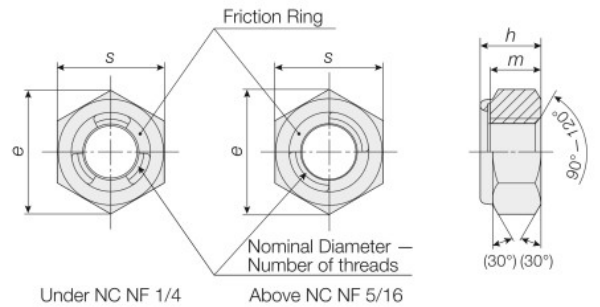
Material of the Nut Body					SS400	S45C-H	SUS304	Unit Weight (g) Approx.			
Material of the Friction Ring					SUS301						
Nominal Diameter — Number of threads	Width Across Flat (s)		Across Corners (e) Approx.	Overall Height (h)		Thread Height (m) Approx.	Single Chamfer		Double Chamfer	Double Chamfer	Single Chamfer
	Base	Tolerance		Base	Tolerance						
W3/16—24	9	0	10.4	4.1	±0.3	3.3		●			1.4
W1/4—20	10	-0.2	11.5	5.1		4.2		●		●	2.1
W5/16—18	14	0	16.2	7.3		5.9		●		●	6.3
W3/8—16	17	-0.25	19.6	8.3	±0.4	6.9		●	●	●	10.6
W7/16—14	19	0	21.9	10.0		8.3		●			15.3
W1/2—12	21	-0.35	24.2	10.5		9.0		●	●	●	19.1
W5/8—11	26	0	30.0	14.8	±0.5	13.0	●		●	●	40.8
W3/4—10	32		16.0	18.1		14.0		●		●	69.6
W7/8—9	35		40.4	18.5		15.8	●		●	●	91.0
W1"—8	41	-0.4	47.3	22.5	±0.6	20.0	●		●	●	154.1

\* Please check the stock condition of each size. \* The material also includes items with equivalent materials. \* Dimensions may change for improvement.

# Unified Thread Type U-NUT

## Features

- Unified Threads specify a 60° thread angle. It is widely used for US aircraft and automotive.
- The Unified Thread Standard (UTS) is commonly used in the United States and Canada.



●: Available

Thread Accuracy: ISO2B (JIS2B) Unit: mm

Material of the Nut Body					SS400	S45C-H	SUS304	SS400	S45C-H	SUS304	Unit Weight (g) Approx.					
Material of the Friction Ring					SUS301											
Nominal Diameter — Number of threads	Width Across Flat (s)			Across Corners (e)		Overall Height (h)		Thread Height (m) Approx.	UNC			UNF				
	Coarse (UNC)	Fine (UNF)	Base	Max.	Min.	Max.	Min.		Base	Tolerance	Double Chamfer	Double Chamfer	Double Chamfer	Double Chamfer	Double Chamfer	Double Chamfer
#10—24	#10—32	9.52	9.52	9.20	10.99	10.50	3.9	±0.3	3.2	●		●	●		●	1.5
1/4—20	1/4—28	11.11	11.11	10.88	12.82	12.40	6.6		5.6	●		●	●		●	3.4
5/16—18	5/16—24	12.70	12.70	12.43	14.65	14.15	7.8	±0.4	6.8	●		●	●		●	5.2
3/8—16	3/8—24	14.28	14.28	14.00	16.51	15.96	9.5		8.3	●	●	●	●	●	●	7.5
7/16—14	7/16—20	17.46	17.46	17.15	20.16	19.51	10.9		9.5	●		●	●	●	●	12.7
1/2—13	1/2—20	19.05	19.05	18.70	21.99	21.34	12.6	±0.6	11.1	●	●	●	●	●	●	18.1
5/8—11	5/8—18	23.81	23.81	23.42	27.50	26.70	15.6		13.9	●	●	●	●	●	●	35.9
3/4—10	3/4—16	28.57	28.57	27.64	32.99	31.50	18.1		16.3	●	●	●	●	●	●	56.1
7/8—9	7/8—14	33.33	33.33	32.24	38.50	36.76	21.6	±0.8	19.1	●	●	●	●			87.8
1"—8	1"—12	38.10	38.10	36.83	43.99	41.99	24.2		21.7	●	●	●	●			125.3

\* Please check the stock condition of each size. \* The material also includes items with equivalent materials. \* Dimensions may change for improvement.