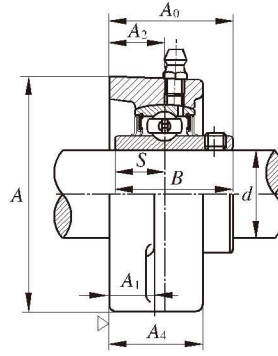
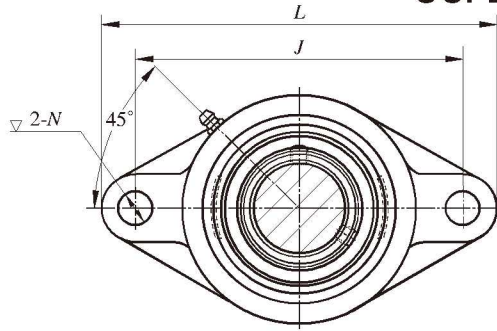


ひしフランジ形ユニット

UCFL 200



SR タイプシール



TRL タイプシール

軸径 (mm) (inch) <i>d</i>	寸法 (mm)											取付けボルト の呼び (mm) (inch)		ユニット 呼び番号	適用 軸受箱	軸受 呼び番号	質量 (kg)
	<i>L</i>	<i>J</i>	<i>A</i> ₂	<i>A</i> ₁	<i>A</i> ₄	<i>N</i>	<i>A</i>	<i>A</i> ₀	<i>B</i>	<i>S</i>							
12 1/2	113	90	15	12	25.5	12	60	33.3	31.0	12.7	M10	3/8	UCFL201 UCFL201-8	FL201	UC201 UC201-8	0.49	
15 5/8	113	90	15	12	25.5	12	60	33.3	31.0	12.7	M10	3/8	UCFL202 UCFL202-10	FL202	UC202 UC202-10	0.49	
17 11/16	113	90	15	12	25.5	12	60	33.3	31.0	12.7	M10	3/8	UCFL203 UCFL203-11	FL203	UC203 UC203-11	0.49	
20 3/4	113	90	15	12	25.5	12	60	33.3	31.0	12.7	M10	3/8	UCFL204-12 UCFL204	FL204	UC204-12 UC204	0.49	
25 7/8 15/16 1	130	99	16	14	27.0	16	68	35.7	34.0	14.3	M14	1/2	UCFL205-14 UCFL205-15 UCFL205 UCFL205-16	FL205	UC205-14 UC205-15 UC205 UC205-16	0.63	
30 1 1/8 1 3/16 1 1/4	148	117	18	14	31.0	16	80	40.2	38.1	15.9	M14	1/2	UCFL206-18 UCFL206 UCFL206-19 UCFL206-20	FL206	UC206-18 UC206 UC206-19 UC206-20	0.94	
35 1 1/4 1 5/16 1 3/8 1 7/16	161	130	19	16	34.0	16	90	44.4	42.9	17.5	M14	1/2	UCFL207-20 UCFL207-21 UCFL207-22 UCFL207 UCFL207-23	FL207	UC207-20 UC207-21 UC207-22 UC207 UC207-23	1.20	
40 1 1/2 1 9/16	175	144	21	16	36.0	16	100	51.2	49.2	19.0	M14	1/2	UCFL208-24 UCFL208-25 UCFL208	FL208	UC208-24 UC208-25 UC208	1.60	
45 1 5/8 1 11/16 1 3/4	188	148	22	18	38.0	19	108	52.2	49.2	19.0	M16	5/8	UCFL209-26 UCFL209-27 UCFL209-28 UCFL209	FL209	UC209-26 UC209-27 UC209-28 UC209	1.90	
50 1 7/8 1 15/16 2	197	157	22	18	40.0	19	115	54.6	51.6	19.0	M16	5/8	UCFL210-30 UCFL210-31 UCFL210 UCFL210-32	FL210	UC210-30 UC210-31 UC210 UC210-32	2.20	
55 2 2 1/8 2 3/16	224	184	25	20	43.0	19	130	58.4	55.6	22.2	M16	5/8	UCFL211-32 UCFL211-34 UCFL211 UCFL211-35	FL211	UC211-32 UC211-34 UC211 UC211-35	3.20	
60 2 1/4 2 3/8 2 7/16	250	202	29	20	48.0	23	140	68.7	65.1	25.4	M20	3/4	UCFL212-36 UCFL212 UCFL212-38 UCFL212-39	FL212	UC212-36 UC212 UC212-38 UC212-39	4.10	
65 2 1/2	258	210	30	24	50.0	23	155	69.7	65.1	25.4	M20	3/4	UCFL213-40 UCFL213	FL213	UC213-40 UC213	5.10	
70 2 3/4	265	216	31	24	54.0	23	160	75.4	74.6	30.2	M20	3/4	UCFL214-44 UCFL214	FL214	UC214-44 UC214	5.90	
75 3	275	225	34	24	56.0	23	165	78.5	77.8	33.3	M20	3/4	UCFL215 UCFL215-48	FL215	UC215 UC215-48	6.40	
80 3 1/8	290	233	34	24	58.0	25	180	83.3	82.6	33.3	M22	7/8	UCFL216 UCFL216-50	FL216	UC216 UC216-50	7.90	
85 3 1/4	305	248	36	26	63.0	25	190	87.6	85.7	34.1	M22	7/8	UCFL217-52 UCFL217	FL217	UC217-52 UC217	9.60	
90 3 1/2	320	265	40	26	68.0	25	205	96.3	96.0	39.7	M22	7/8	UCFL218-56 UCFL218	FL218	UC218-56 UC218	12.10	