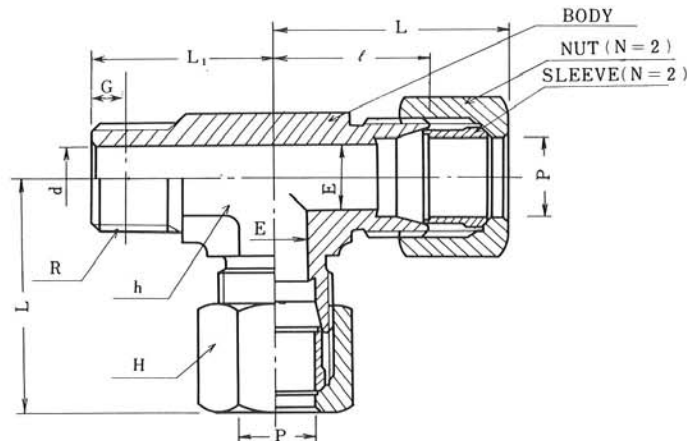


15MPa B型銅管くい込継手
(150kgf/cm²)

GT-3型

MALE RUN TEE



(注) L寸法はナットを締付け前の概略寸法を示す。

L denotes the rough dimensions before tightening the nuts.

単位：mm

継手の呼称 Designation of Joints	各部の名称 Symbols of respective parts	適用する 管の外径 Tube(O.D)	Minimum Opening	d	基準径 の位置 Position of refer- ence diameter	二面巾 Width Across Flats h	六角対辺 Opposite sides of hexagon H	ℓ	(約) Approx	(約) Approx	R	1組分 Wt Weight per set (kg)
		P	E		G				L	L ₁	(PT)	
GT-3	4-R ¹ / ₈ -B	4	2.5	4	3.97	12	12	15	23	17	¹ / ₈	0.039
GT-3	6-R ¹ / ₈ -B	6	4	4	3.97	14	14	20	29.5	18	¹ / ₈	0.062
GT-3	6-R ¹ / ₄ -B	6	4	6	6.01	14	14	20	29.5	22	¹ / ₄	0.069
GT-3	6-R ³ / ₈ -B	6	4	8.5	6.35	19	14	24	34	28	³ / ₈	0.120
GT-3	8-R ¹ / ₈ -B	8	6	4	3.97	17	17	22	31.5	20	¹ / ₈	0.101
GT-3	8-R ¹ / ₄ -B	8	8	6	6.01	17	17	22	31.5	25	¹ / ₄	0.101
GT-3	10-R ¹ / ₄ -B	10	8	6	6.01	17	19	23	35.5	25	¹ / ₄	0.112
GT-3	10-R ³ / ₈ -B	10	8	8.5	6.35	19	19	23	35.5	28	³ / ₈	0.131
GT-3	12-R ¹ / ₄ -B	12	10	6	6.01	19	21	24	35	27	¹ / ₄	0.145
GT-3	12-R ³ / ₈ -B	12	10	8.5	6.35	19	21	24	35	28	³ / ₈	0.144
GT-3	14-R ³ / ₈ -B	14	11	8.5	6.35	23	26	29	41.5	33	³ / ₈	0.231
GT-3	14-R ¹ / ₂ -B	14	11	12	8.16	23	26	29	41.5	35	¹ / ₂	0.248
GT-3	15-R ³ / ₈ -B	15	12	8.5	6.35	23	26	29	41.5	33	³ / ₈	0.238
GT-3	15-R ¹ / ₂ -B	15	12	12	8.16	23	26	29	41.5	35	¹ / ₂	0.253
GT-3	16-R ¹ / ₂ -B	16	13	12	8.16	23	29	29	41.5	35	¹ / ₂	0.287
GT-3	18-R ¹ / ₂ -B	18	15	12	8.16	29	32	33	45.5	38	¹ / ₂	0.405
GT-3	20-R ³ / ₄ -B	20	17	17	9.53	29	35	33	45.5	41	³ / ₄	0.446
GT-3	22-R ³ / ₄ -B	22	18	17	9.53	29	36	34	47	41	³ / ₄	0.453
GT-3	25-R1-B	25	20	20	10.39	35	41	36	49.5	46	1	0.714