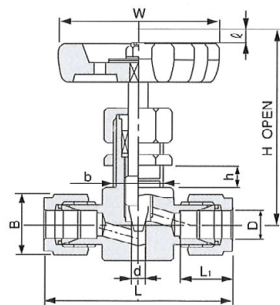


VUH

■高温用

NEEDLE STOP VALVE

ユニオン型



(METRIC)

(Unit:mm)

PART. No.	D	d	L	L ₁	H	W	B	PANEL HOLE SIZE
VUH-6-0	6	5	62.5	15.5	73	58	14	18.5
VUH-8-0	8	5	63	16.8	73	58	15.87	18.5
VUH-10-0	10	5	69	18.7	73	58	19	18.5
VUH-12-0	12	5	75	22.8	73	58	23	18.5

(INCHES)

VUH-02-0	1/4" : 6.35	5	62.5	15.4	73	58	14	18.5
VUH-025-0	5/16" : 7.94	5	63	16.8	73	58	15.87	18.5
VUH-03-0	3/8" : 9.53	5	67	20.3	73	58	17.46	18.5
VUH-04-0	1/2" : 12.7	5	75	22.8	73	58	23	18.5

(SCHEDULE)

VUH-10.5-0	1/8B : 10.5	5	68	19.2	73	58	19	18.5
------------	-------------	---	----	------	----	----	----	------

■仕様

SIZE	MAX Cv値
φ 6	0.36
φ 8	0.48
φ 10	0.58
φ 12	0.58

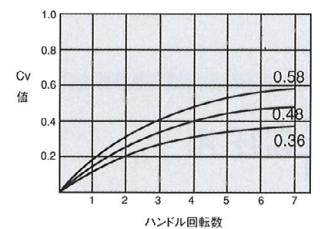
φ 6.35	0.36
φ 7.94	0.48
φ 9.53	0.58
φ 12.7	0.58

φ 10.5	0.58
--------	------

■材質

NAME	MATERIAL
BODY	SUS 316
STEM	SUS 316 +STELLITE
PACKING	GRAFOIL
HANDLE	ADC 12

■Cv値曲線

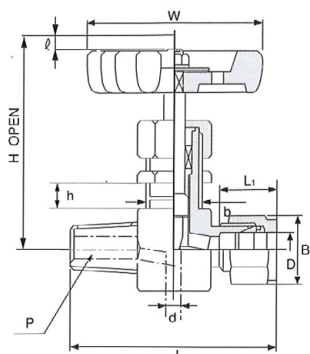
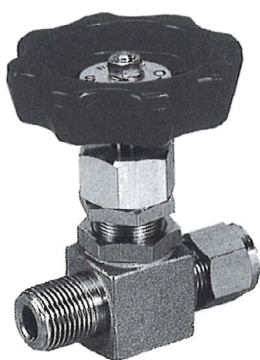


VHH

■高温用

NEEDLE STOP VALVE

ハーフ型



(METRIC)

(Unit:mm)

PART. No.	D	P PT or NPT	d	L	L ₁	H	W	B	PANEL HOLE SIZE
VHH-6-2	6	1/4	5	59.5	15.4	73	58	14	18.5
VHH-8-2	8	1/4	5	60	16.8	73	58	15.87	18.5
VHH-10-2	10	1/4	5	63	18.7	73	58	19	18.5
VHH-10-3	10	3/8	5	67	18.7	73	58	19	18.5
VHH-12-3	12	3/8	5	69.5	22.8	73	58	23	18.5
VHH-12-4	12	1/2	5	71.5	22.8	73	58	23	18.5

(INCHES)

VHH-02-2	1/4" : 6.35	1/4	5	59.5	15.4	73	58	14	18.5
VHH-025-2	5/16" : 7.94	1/4	5	60	16.8	73	58	15.87	18.5
VHH-03-2	3/8" : 9.53	1/4	5	62.5	20.3	73	58	17.46	18.5
VHH-03-3	3/8" : 9.53	3/8	5	66.5	20.3	73	58	17.46	18.5
VHH-04-3	1/2" : 12.7	3/8	5	69.5	22.8	73	58	23	18.5
VHH-04-4	1/2" : 12.7	1/2	5	71.5	22.8	73	58	23	18.5

(SCHEDULE)

VHH-10.5-2	1/8B : 10.5	1/4	5	62.5	19.2	73	58	19	18.5
VHH-10.5-3	1/8B : 10.5	3/8	5	66.5	19.2	73	58	19	18.5

■仕様

SIZE	MAX Cv値
φ 6-2	0.36
φ 8-2	0.48
φ 10-2	0.48
φ 10-3	0.58
φ 12-3	0.58
φ 12-4	0.58

φ 6.35	0.36
φ 7.94	0.48
φ 9.53-2	0.58
φ 9.53-3	0.58
φ 12.7-3	0.58
φ 12.7-4	0.58

φ 10.5-2	0.48
φ 10.5-3	0.58

■材質

NAME	MATERIAL
BODY	SUS 316
STEM	SUS 316 +STELLITE
PACKING	GRAFOIL
HANDLE	ADC 12

■Cv値曲線

