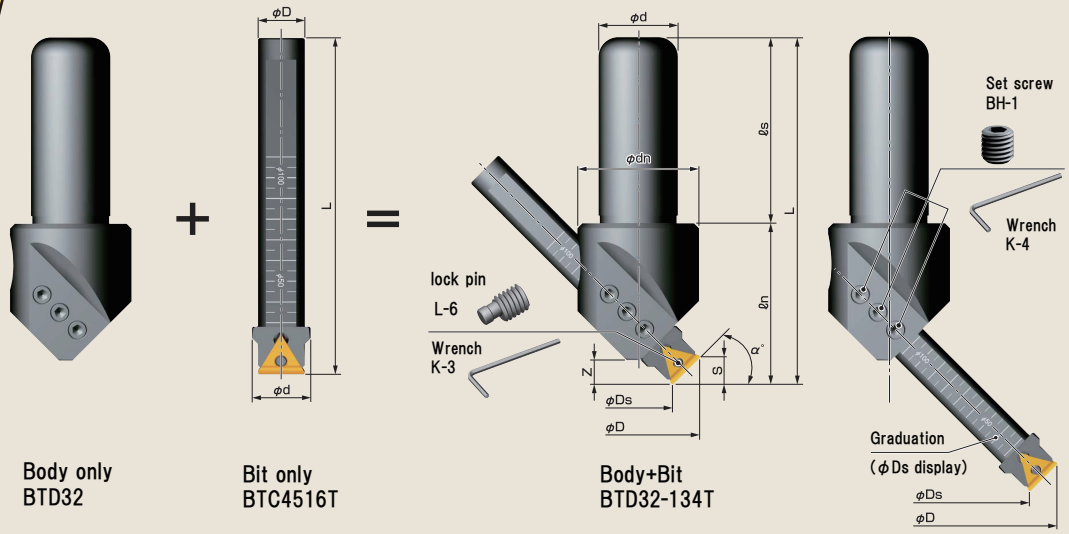


Bit Type!

- Expansion Bit type for wide range chamfering !
- Bore Chamfering Capacity: $\phi 28 \sim \phi 133$
- T32-type insert can be used

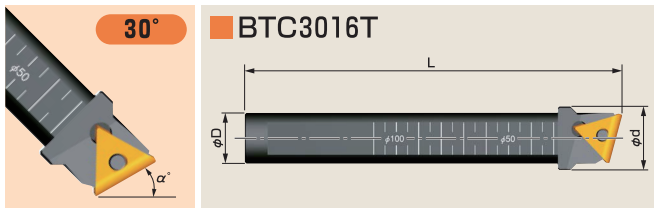


Model. No.	Blades	Dimensions (mm)										α°
		ϕD	ϕDs	ϕdn	ϕd	L	ℓs	ℓn	Z	S		
BTD32-134T	1	49.85 134.6	28 112.8	49	32	140 182.8	75	65 107.8	9.8 52.6	10.9	45°	
BTD32				49	32	130.2	75	55.2				

Model. No.	Dimensions (mm)		
	ϕD	ϕd	L
BTC4516T	16	20	115

※ Inset is not supplied as standard accessory. Please order separately.
 ※ Lock Pin, set screw and wrench supplied as standard accessory

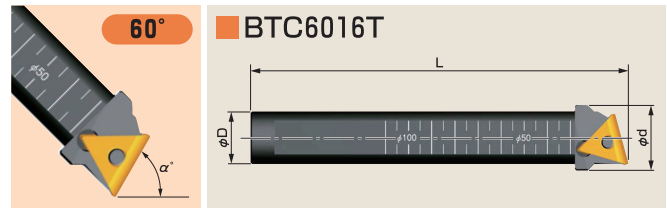
Option Bit



Model. No.	Dimensions (mm)		
	ϕD	ϕd	L
BTC3016T	16	20	119

■ BTC3016T (Option) is mounted

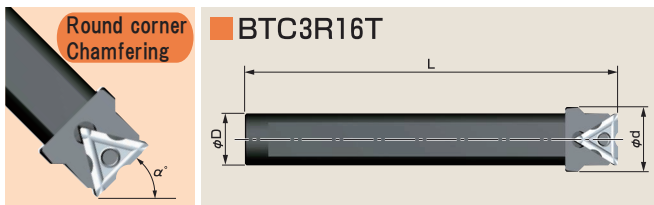
Blades	Dimensions (mm)										α°
	ϕD	ϕDs	ϕdn	ϕd	L	ℓs	ℓn	Z	S		
1	54.82 139.6	28 112.8	49	32	140 182.4	75	65 107.4	9.8 52.6	7.7	30°	



Model. No.	Dimensions (mm)		
	ϕD	ϕd	L
BTC6016T	16	20	115

■ BTC6016T (Option) is mounted

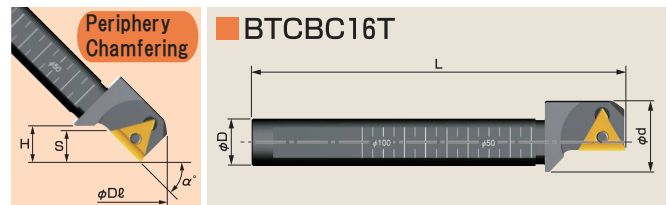
Blades	Dimensions (mm)										α°
	ϕD	ϕDs	ϕdn	ϕd	L	ℓs	ℓn	Z	S		
1	43.37 128.2	28 112.8	49	32	140 182.5	75	65 107.5	9.8 52.5	13.3	60°	



Model. No.	Dimensions (mm)		
	ϕD	ϕd	L
BTC3R16T	16	20	115

■ BTC3R16T (Option) is mounted

Blades	Dimensions (mm)										α°
	ϕD	ϕDs	ϕdn	ϕd	L	ℓs	ℓn	Z	S		
1	49.9 134.6	28 112.8	49	32	140 182.4	75	65 107.4	9.8 52.6	10.9	45°	



Model. No.	Dimensions (mm)		
	ϕD	ϕd	L
BTCBC16T	16	24	126

■ BTCBC16T (Option) is mounted

Blades	Dimensions (mm)										α°	
	ϕD	ϕDs	$\phi D\ell$	ϕdn	ϕd	L	ℓs	ℓn	Z	H		S
1	50.6 134.7	28 112.8	71.5 155.2	49	32	144 186.5	75	69 111.5	13.9 56.4	(12.9)	10.9	-45°