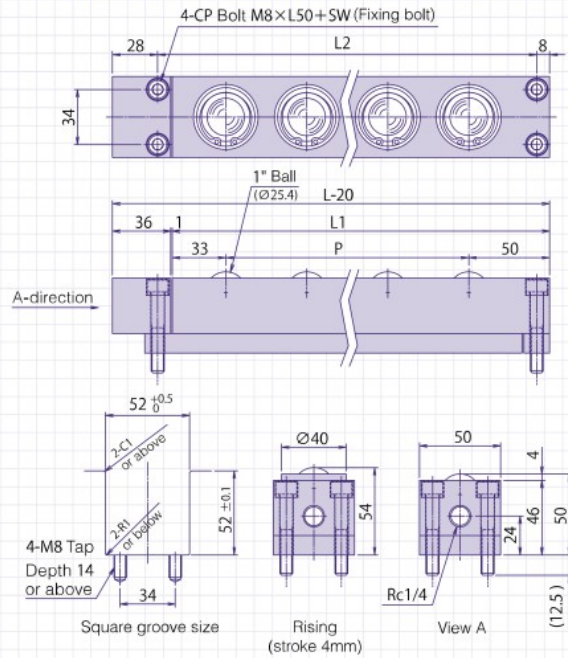
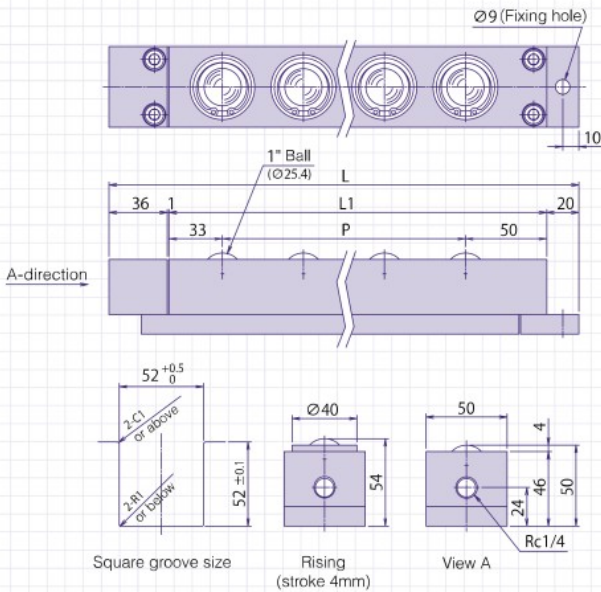


* For the fixing method, please choose from standard or 4-point fixed type

■ Standard (fixing method : only Ø9)

■ 4-point fixed type (fixing method: fixed with four M8 cap bolts)



■ Connection dimension diagram

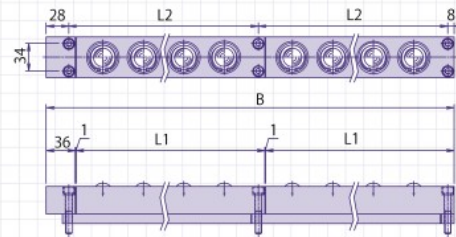
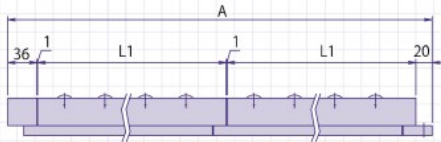
■ Connection dimension diagram

AFU-5050 Standard

AFU-5050 4-point fixing

Calculation formula of full length A=56+ (Sum of L1) + (Number of connections)

Calculation formula of full length B=36+ (Sum of L1) + (Number of connections)



(Unit:mm)

Model	Body size (mm)				Weight (kg)	Relation of air pressure and load capacity kN (kgf)							
	L	L1	L2	P		One piece of AFU				One freebear			
						Operating air pressure MPa (kgf/cm ²)				Operating air pressure MPa (kgf/cm ²)			
AFU-5050-1	140	83	84	—	2.0	0.30 (3.1)	0.40 (4.1)	0.50 (5.1)	0.60 (6.1)	0.30 (3.1)	0.40 (4.1)	0.50 (5.1)	0.60 (6.1)
AFU-5050-2	190	133	134	50	2.8	0.39 (39.3)	0.51 (52.0)	0.64 (65.3)	0.77 (78.5)				
AFU-5050-3	240	183	184	2 × P50 = 100	3.6	1.16 (117.8)	1.53 (156.0)	1.92 (195.8)	2.31 (235.6)				
AFU-5050-4	290	233	234	3 × P50 = 150	4.5	1.54 (157.1)	2.04 (208.0)	2.56 (261.0)	3.08 (314.1)				
AFU-5050-5	340	283	284	4 × P50 = 200	5.3	1.93 (196.3)	2.55 (260.0)	3.20 (326.3)	3.85 (392.6)				
AFU-5050-6	390	333	334	5 × P50 = 250	6.1	2.31 (235.6)	3.06 (312.0)	3.84 (391.6)	4.62 (471.1)				
AFU-5050-7	440	383	384	6 × P50 = 300	6.9	2.70 (274.8)	3.57 (364.0)	4.48 (456.8)	5.39 (549.6)				
AFU-5050-8	490	433	434	7 × P50 = 350	7.7	3.08 (314.1)	4.08 (416.0)	5.12 (522.1)	6.16 (628.1)				
AFU-5050-9	540	483	484	8 × P50 = 400	8.6	3.47 (353.4)	4.59 (468.0)	5.76 (587.4)	6.93 (706.7)	0.39 (39.3)	0.51 (52.0)	0.64 (65.3)	0.77 (78.5)
AFU-5050-10	590	533	534	9 × P50 = 450	9.4	3.85 (392.6)	5.10 (520.1)	6.40 (652.6)	7.70 (785.2)				
AFU-5050-11	640	583	584	10 × P50 = 500	10.2	4.24 (431.9)	5.61 (572.1)	7.04 (717.9)	8.47 (863.7)				
AFU-5050-12	690	633	634	11 × P50 = 550	11.0	4.62 (471.1)	6.12 (624.1)	7.68 (783.1)	9.24 (942.2)				
AFU-5050-13	740	683	684	12 × P50 = 600	11.8	5.01 (510.4)	6.63 (676.1)	8.32 (848.4)	10.01 (1,020.7)				
AFU-5050-14	790	733	734	13 × P50 = 650	12.6	5.39 (549.7)	7.14 (728.1)	8.96 (913.7)	10.78 (1,099.3)				
AFU-5050-15	840	783	784	14 × P50 = 700	13.4	5.78 (588.9)	7.65 (780.1)	9.60 (978.9)	11.55 (1,177.8)				
AFU-5050-16	890	833	834	15 × P50 = 750	14.3	6.16 (628.2)	8.16 (832.1)	10.24 (1,044.2)	12.32 (1,256.3)				
AFU-5050-17	940	883	884	16 × P50 = 800	15.1	6.55 (667.4)	8.67 (884.1)	10.88 (1,109.5)	13.09 (1,334.8)				
AFU-5050-18	990	933	934	17 × P50 = 850	15.9	6.93 (706.7)	9.18 (936.1)	11.52 (1,174.7)	13.86 (1,413.3)				

* The load capacity of standard product is the same as 4-point fixed type. ** The body size (L) of 4-point fixed type is 20mm smaller than standard product.