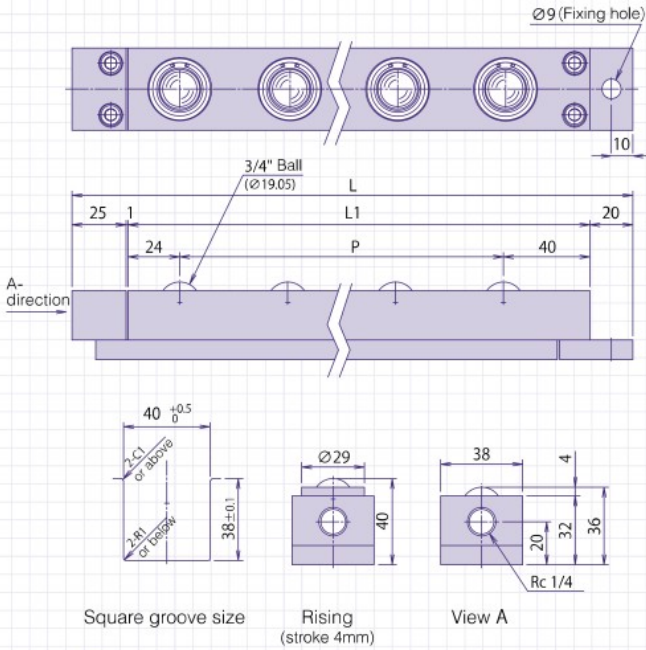


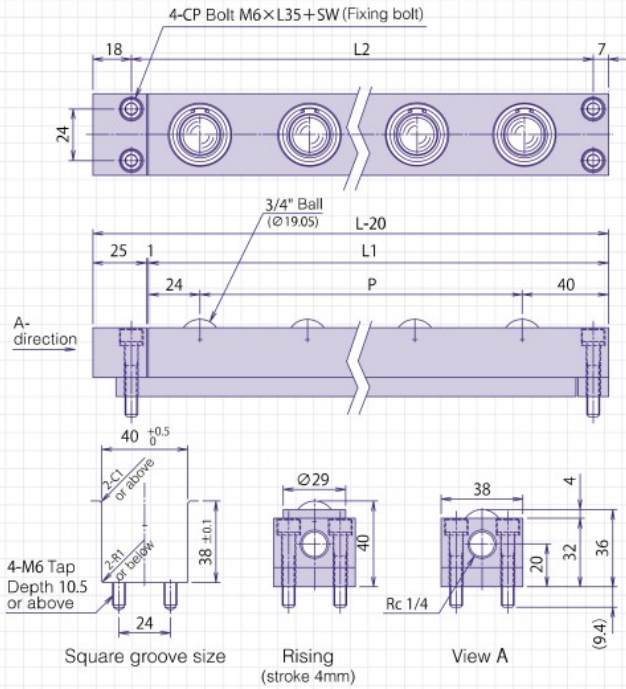


* For the fixing method, please choose from standard or 4-point fixed type

■ **Standard** (fixing method : only Ø9)

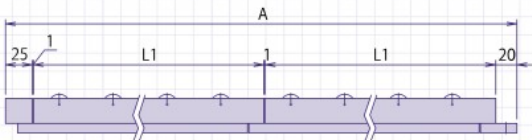


■ **4-point fixed type** (fixing method: fixed with four M6 cap bolts)



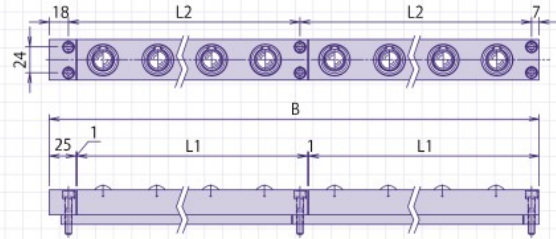
■ **Connection dimension diagram**

AFU-3836 Standard
 Calculation formula of full length A=45+ (Sum of L1) + (Number of connections)



■ **Connection dimension diagram**

AFU-3836 4-point fixing
 Calculation formula of full length B=25+ (Sum of L1) + (Number of connections)



(Unit: mm)

Model	Body size (mm)				Weight (kg)	Relation of air pressure and load capacity kN (kgf)							
	L	L1	L2	P		One piece of AFU				One freebear			
						Operating air pressure MPa (kgf/cm ²)				Operating air pressure MPa (kgf/cm ²)			
AFU-3836-1	110	64	65	—	0.8	0.30 (3.1)	0.40 (4.1)	0.50 (5.1)	0.60 (6.1)	0.30 (3.1)	0.40 (4.1)	0.50 (5.1)	0.60 (6.1)
AFU-3836-2	160	114	115	50	1.2	0.39 (39.8)	0.48 (48.9)	0.62 (63.2)	0.78 (79.5)				
AFU-3836-3	210	164	165	2 × P50 = 100	1.7	0.59 (59.7)	0.72 (73.4)	0.93 (94.8)	1.17 (119.3)				
AFU-3836-4	260	214	215	3 × P50 = 150	2.1	0.78 (79.6)	0.96 (97.9)	1.24 (126.4)	1.56 (159.1)				
AFU-3836-5	310	264	265	4 × P50 = 200	2.5	0.98 (99.4)	1.20 (122.4)	1.55 (158.1)	1.95 (198.8)				
AFU-3836-6	360	314	315	5 × P50 = 250	3.0	1.17 (119.3)	1.44 (146.8)	1.86 (189.7)	2.34 (238.6)				
AFU-3836-7	410	364	365	6 × P50 = 300	3.4	1.37 (139.2)	1.68 (171.3)	2.17 (221.3)	2.73 (278.4)				
AFU-3836-8	460	414	415	7 × P50 = 350	3.8	1.56 (159.1)	1.92 (195.8)	2.48 (252.9)	3.12 (318.2)				
AFU-3836-9	510	464	465	8 × P50 = 400	4.3	1.76 (179.0)	2.16 (220.3)	2.79 (284.5)	3.51 (357.9)	0.20 (19.9)	0.24 (24.5)	0.31 (31.6)	0.39 (39.8)
AFU-3836-10	560	514	515	9 × P50 = 450	4.7	1.95 (198.9)	2.40 (244.7)	3.10 (316.1)	3.90 (397.7)				
AFU-3836-11	610	564	565	10 × P50 = 500	5.1	2.15 (218.8)	2.64 (269.2)	3.41 (347.7)	4.29 (437.5)				
AFU-3836-12	660	614	615	11 × P50 = 550	5.5	2.34 (238.6)	2.88 (293.7)	3.72 (379.3)	4.68 (477.2)				
AFU-3836-13	710	664	665	12 × P50 = 600	6.0	2.54 (258.5)	3.12 (318.2)	4.03 (411.0)	5.07 (517.0)				
AFU-3836-14	760	714	715	13 × P50 = 650	6.4	2.73 (278.4)	3.36 (342.6)	4.34 (442.6)	5.46 (556.8)				
AFU-3836-15	810	764	765	14 × P50 = 700	6.8	2.93 (298.3)	3.60 (367.1)	4.65 (474.2)	5.85 (596.5)				
AFU-3836-16	860	814	815	15 × P50 = 750	7.3	3.12 (318.2)	3.84 (391.6)	4.96 (505.8)	6.24 (636.3)				
AFU-3836-17	910	864	865	16 × P50 = 800	7.7	3.32 (338.1)	4.08 (416.0)	5.27 (537.4)	6.63 (676.1)				
AFU-3836-18	960	914	915	17 × P50 = 850	8.1	3.51 (357.9)	4.32 (440.5)	5.58 (569.0)	7.02 (715.8)				

* The load capacity of standard product is the same as 4-point fixed type. ** The body size (L) of 4-point fixed type is 20mm smaller than standard product.