

## DTH - P□S

Small in size and optimal for installation in a machine

0.1

 $\mu\text{m}$ 

Resolution

0.2

N

Measuring Force

0.4

N

Measuring Force

0.7

N

Measuring Force

 $\pm 0.7$ 

mm

Measurement Range

3

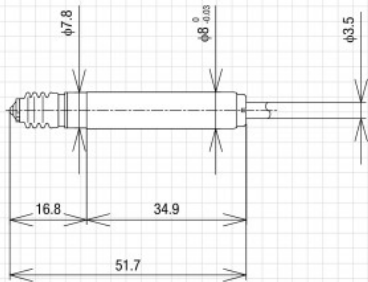
m

Cable Length

8

mm

Stem Diameter



Model	DTH-P20S	DTH-P40S	DTH-P70S
Measuring force	0.196N	0.392N	0.686N
Measurement range	$\pm 0.7$ mm		
Stroke	2 mm		
Zero-point position	Approx. 1 mm		
Repeatability	0.3 $\mu\text{m}$		
Accuracy guaranteed temperature range	24°C $\pm$ 5°C		
Operating temperature range	0 to 50°C		
Weight (main body only)	Approx. 20 g		
Standard specifications	Cable length	3 m	
	Contact point	F-171	
	Rubber bellows	M-131	

◇All measuring forces are for the state in which no rubber bellows is attached. (The measuring force is about 5 to 15 g higher if a rubber bellows is attached.)

## DTH - P-SH

Small in size with a laterally connected cord

0.1

 $\mu\text{m}$ 

Resolution

0.2

N

Measuring Force

0.4

N

Measuring Force

0.7

N

Measuring Force

 $\pm 0.7$ 

mm

Measurement Range

3

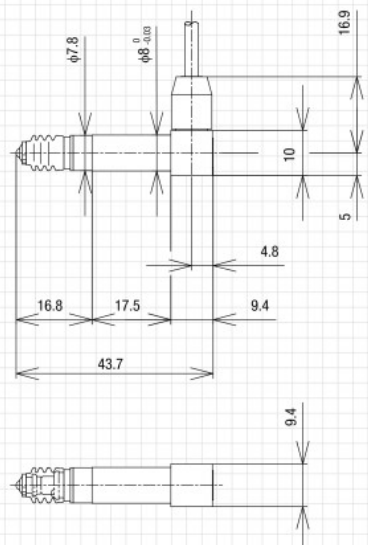
m

Cable Length

8

mm

Stem Diameter



Model	DTH-P20SH	DTH-P40SH	DTH-P70SH
Measuring force	0.196N	0.392N	0.686N
Measurement range	$\pm 0.7$ mm		
Stroke	2 mm		
Zero-point position	Approx. 1 mm		
Repeatability	0.3 $\mu\text{m}$		
Accuracy guaranteed temperature range	24°C $\pm$ 5°C		
Operating temperature range	0 to 50°C		
Weight (main body only)	Approx. 20 g		
Standard specifications	Cable length	3 m	
	Contact point	F-171	
	Rubber bellows	M-131	

◇All measuring forces are for the state in which no rubber bellows is attached. (The measuring force is about 5 to 15 g higher if a rubber bellows is attached.)