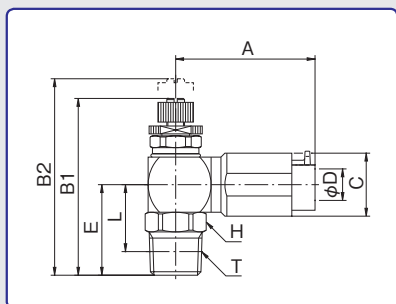


# タッチコネクタ H タイプスピードコントローラ

## TOUCH CONNECTOR H TYPE SPEED CONTROLLER

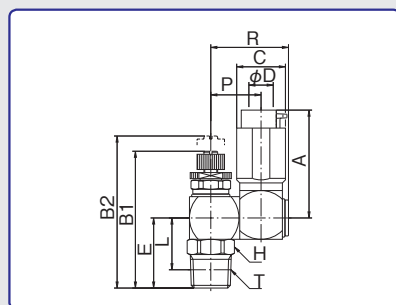


### スピードコントローラ α タッチコネクタ H タイプ SPEED CONTROLLER α TOUCH CONNECTOR H TYPE



| 型式<br>Model    | A    | B1   | B2   | C    | 適用<br>チューブ<br>外径<br>Tube O.D.<br>φD | E    | 二面幅<br>Spanner<br>Flats<br>H | L    | ねじサイズ<br>Thread<br>T | 重量<br>Weight<br>(g) |
|----------------|------|------|------|------|-------------------------------------|------|------------------------------|------|----------------------|---------------------|
| C6-M5SCH-0(I)  | 34.4 | 35.7 | 38.9 | 14.0 | 6                                   | 15.5 | 12.0                         | 12.5 | M5×0.8               | 43.0                |
| C6-01SCH-0(I)  | 34.4 | 39.2 | 42.4 | 14.0 | 6                                   | 19.0 | 12.0                         | 15.0 | R1/8                 | 47.0                |
| C6-02SCH-0(I)  | 34.4 | 42.2 | 45.4 | 14.0 | 6                                   | 22.0 | 14.0                         | 16.0 | R1/4                 | 51.0                |
| C8-01SCH-0(I)  | 35.4 | 41.9 | 47.0 | 16.0 | 8                                   | 20.0 | 14.0                         | 16.0 | R1/8                 | 60.0                |
| C8-02SCH-0(I)  | 35.4 | 44.9 | 50.0 | 16.0 | 8                                   | 23.0 | 14.0                         | 17.0 | R1/4                 | 64.0                |
| C8-03SCH-0(I)  | 35.4 | 45.9 | 51.0 | 16.0 | 8                                   | 24.0 | 17.0                         | 17.6 | R3/8                 | 72.0                |
| C10-02SCH-0(I) | 40.4 | 48.2 | 54.5 | 17.0 | 10                                  | 24.5 | 17.0                         | 18.5 | R1/4                 | 87.0                |
| C10-03SCH-0(I) | 40.4 | 49.2 | 55.5 | 17.0 | 10                                  | 25.5 | 17.0                         | 19.1 | R3/8                 | 93.0                |
| C10-04SCH-0(I) | 40.4 | 53.2 | 59.5 | 17.0 | 10                                  | 29.5 | 21.0                         | 21.5 | R1/2                 | 111.0               |
| C12-03SCH-0(I) | 44.4 | 52.1 | 61.2 | 21.0 | 12                                  | 26.5 | 19.0                         | 20.1 | R3/8                 | 133.0               |
| C12-04SCH-0(I) | 44.4 | 56.1 | 65.2 | 21.0 | 12                                  | 30.5 | 21.0                         | 22.5 | R1/2                 | 151.0               |

### スピードコントローラ β タッチコネクタ H タイプ SPEED CONTROLLER β TOUCH CONNECTOR H TYPE



| 型式<br>Model     | A    | B1   | B2   | C    | 適用<br>チューブ<br>外径<br>Tube O.D.<br>φD | E    | 二面幅<br>Spanner<br>Flats<br>H | L    | P    | R    | ねじサイズ<br>Thread<br>T | 重量<br>Weight<br>(g) |
|-----------------|------|------|------|------|-------------------------------------|------|------------------------------|------|------|------|----------------------|---------------------|
| CB6-M5SCH-0(I)  | 34.4 | 35.7 | 38.9 | 14.0 | 6                                   | 15.5 | 12.0                         | 12.5 | 14.0 | 22.0 | M5×0.8               | 55.0                |
| CB6-01SCH-0(I)  | 34.4 | 39.2 | 42.4 | 14.0 | 6                                   | 19.0 | 12.0                         | 15.0 | 14.0 | 22.0 | R1/8                 | 61.0                |
| CB6-02SCH-0(I)  | 34.4 | 42.2 | 45.4 | 14.0 | 6                                   | 22.0 | 14.0                         | 16.0 | 14.0 | 22.0 | R1/4                 | 65.0                |
| CB8-01SCH-0(I)  | 35.4 | 41.9 | 47.0 | 16.0 | 8                                   | 20.0 | 14.0                         | 16.0 | 16.5 | 25.5 | R1/8                 | 74.0                |
| CB8-02SCH-0(I)  | 35.4 | 44.9 | 50.0 | 16.0 | 8                                   | 23.0 | 14.0                         | 17.0 | 16.5 | 25.5 | R1/4                 | 92.0                |
| CB8-03SCH-0(I)  | 35.4 | 45.9 | 51.0 | 16.0 | 8                                   | 24.0 | 17.0                         | 17.6 | 16.5 | 25.5 | R3/8                 | 100.0               |
| CB10-02SCH-0(I) | 40.4 | 48.2 | 54.5 | 17.0 | 10                                  | 24.5 | 17.0                         | 18.5 | 20.2 | 30.9 | R1/4                 | 125.0               |
| CB10-03SCH-0(I) | 40.4 | 49.2 | 55.5 | 17.0 | 10                                  | 25.5 | 17.0                         | 19.1 | 20.2 | 30.9 | R3/8                 | 131.0               |
| CB10-04SCH-0(I) | 40.4 | 53.2 | 59.5 | 17.0 | 10                                  | 29.5 | 21.0                         | 21.5 | 20.2 | 30.9 | R1/2                 | 149.0               |
| CB12-03SCH-0(I) | 44.4 | 52.1 | 61.2 | 21.0 | 12                                  | 26.5 | 19.0                         | 20.1 | 21.2 | 32.9 | R3/8                 | 182.0               |
| CB12-04SCH-0(I) | 44.4 | 56.1 | 65.2 | 21.0 | 12                                  | 30.5 | 21.0                         | 22.5 | 21.2 | 32.9 | R1/2                 | 200.0               |