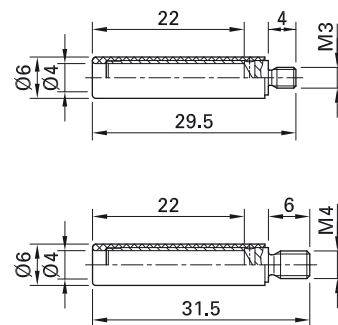
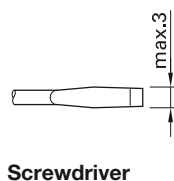


## Screw-in adapter B4-E-M...

Insulated, with external thread for screw connection to threaded holes. Machined brass.

Ø 4 mm rigid socket in insulator accepting spring-loaded Ø 4 mm plugs with rigid

insulating sleeve. Socket with internal slot for screwdriver.



Order No.	Type	Rated voltage/current	Thread		*Standard colors
23.1031-*	B4-E-M3-I	600 V, CAT II / 32 A	M3	Ni	21 22 23 24
23.1033-*	B4-E-M4-I	600 V, CAT II / 32 A	M4	Ni	21 22 23 24

### Component parts

24.5012-*	I-A2/4	Insulator (*Colors see B4-E-M...)
23.5076	B4-E-M3	Socket suitable for: B4-E-M3-I
23.5082	B4-E-M4	Socket suitable for: B4-E-M4-I



### User information i119

[www.staubli.com/electrical](http://www.staubli.com/electrical)