

Sensor switch

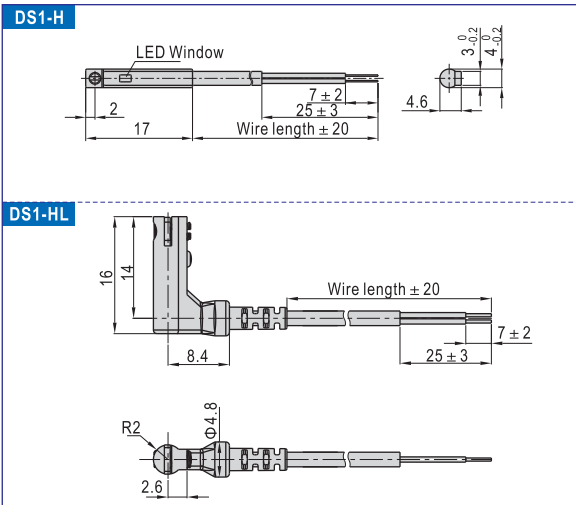
DS1-H, DS1-HL Series



Specification

Item\Type	DS1-H, DS1-HL	DS1-HN, DS1-HLN	DS1-HP, DS1-HLP
Switch logic	Transistor without contact, Normally opened type		
Switch type	Two lines type	NPN type	PNP type
Operating voltage(V)	10~28V DC	5~30V DC	
Max. Switching current(mA)	50	200	
Switching rating(W)	Max. 1.4	Max. 6	
Current consumption	12(40)uA Max. @24V	15mA Max. @24V	
Voltage drop	2.65V Max. @50mA DC	0.5V Max. @200mA DC	
Cable	Φ 2.8,2C Black oil resistant PVC	Φ 3.3,3C Black oil resistant PVC	
Indicator	Red LED		
Leakage current	20(90)uA Max. @28V	0.01mA Max.	
Sensitivity(Gauss)	25~700	60~75	
Max. Frequency(Hz)	1000		
Shock(m/s ²)	500		
Vibration(m/s ²)	90		
Temperature range(°C)	-10~70		
Enclosure classification	IP67(NEMA6)		
Protection circuit	Power reverse polarity, surge suppression		

Dimensions



Ordering code

DS1 H N 020

- Number of sensor switch**
DS1: Sensor switch
- Connecting way** ①
C08: M8 quick joint, length of wire is 150mm
C12: M12 quick joint, length of wire is 150mm
020: length of wire is 2m
030: length of wire is 3m
050: length of wire is 5m
100: length of wire is 10m
- Specification of sensor switch**

Specification	Product Series
H: H type	HLH, HRQ, HFZ6(16~40), HFY6
HL: HL type	HFR10~25, HLQ/HLS, HFC
- Model of sensor switch**
Blank: two-line /normally opened
N: three-line NPN with no contact (current flows in) / normally opened
P: three-line PNP with no contact (current flows out) / normally opened

① Note: The quick joint that is attached at the end of wire is three-needle-male joint-linear-rotary screw thread type. The female joint plug has to be ordered additionally. Please refer to P480 for the specific data.

Mounting

Installation example	Installation method
<p>Sensor switch</p> <p>Body</p> <p>Installation groove</p>	<p>No additional accessories are necessary for the sensor switch of DS1-H (N, P)\DS1-HL(N,P) series. It can be directly fixed along the groove of the cylinder, which is convenient and fast.</p>
<p>Sensor switch</p> <p>Body</p> <p>Installation groove</p>	<p>1. Adjust the clamping screw on sensor switch, slide the sensor switch into the installation slot and adjust it to the proper position and tighten the clamping screw to fix.</p>

